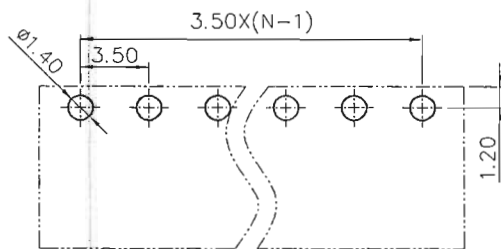
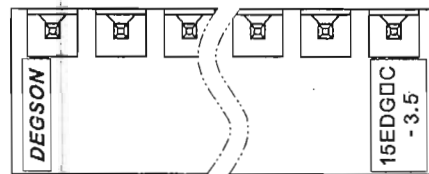
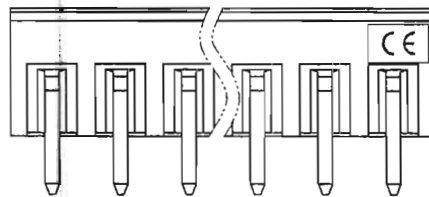
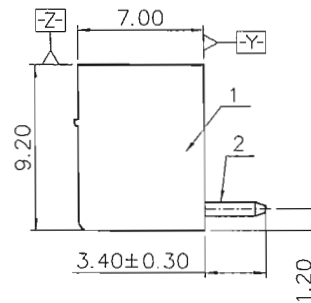
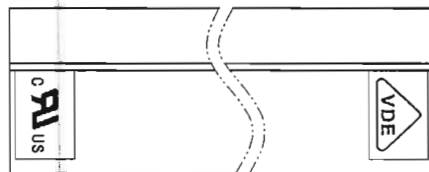
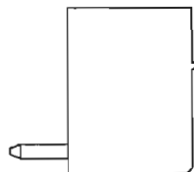
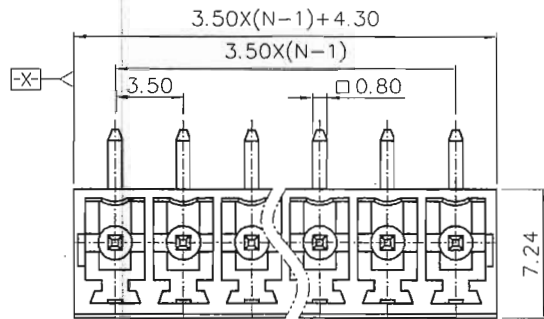


REVISION RECORD				
REV	ECN	DESCRIPTION	DRFT	DATE



PCB_LAYOUT

NOTES1:

UL Standard

1. Rated Voltage/Current : 300V / 8A

2. Withstanding Voltage : AC1600V/1Min.

VDE Standard

1.

Pollution Degree	2
Overvoltage Category	II
Rate Impulse Voltage(KV)	2.5KV
Rate Voltage(V)	250V
Rate Current(A)	7A

NOTES2:

1. Dimension shall be interpreted per ASME Y14.5-2009

2. Pitch : 3.50mm, Poles : N=2~24P

3. Operating temperature: -40°C~+105°C

4. Undimensioned Tolerances:

Pitch Range In mm		Nominal Dimension Range In mm				-	∧	∇	
To	Over	To	Over	To	Over	0.1/10			
6	10	10	30	60	100	∠			
10	24	30	60	100	150				
±0.15		±0.20	±0.30	±0.30	±0.50	±0.70	±1.00	±1.30	±2'

5. RoHS Compliance



2	PIN	COPPER ALLOY	Sn Plated
1	HOUSING	PA66	UL94V-0
ITEM	NAME OF PART	MATERIAL	NOTES

DEGSON 宁波高松电子有限公司
NINGBO DEGSON ELECTRICAL CO., LTD

APPD: *Aaron 10/14/15*
CHKD: *Xm 10/12/15*
DRFT: Yz 10/12/15

15EDGRC-3.5-XXP-1Y-00A(H)

TITLE: CUSTOMER DRAWING
DRAWING NO.: 15EDGRC-3.5-C02
REV: TO
SHEET: 1/1

THIRD ANGLE PROJECTION

MM (INCH) DO NOT SCALE DRAWING SCALE 1:1

