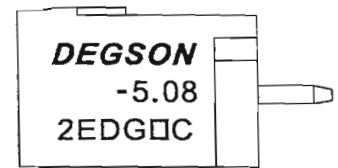
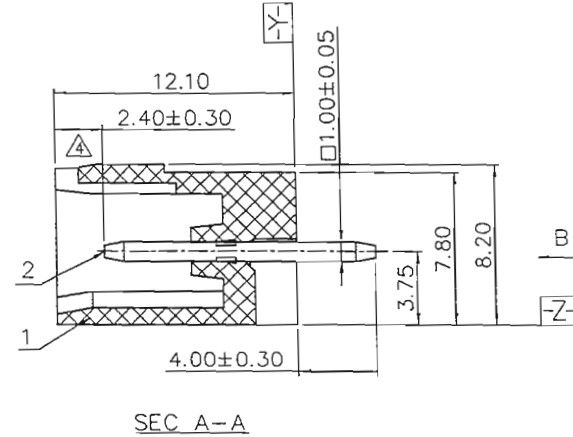
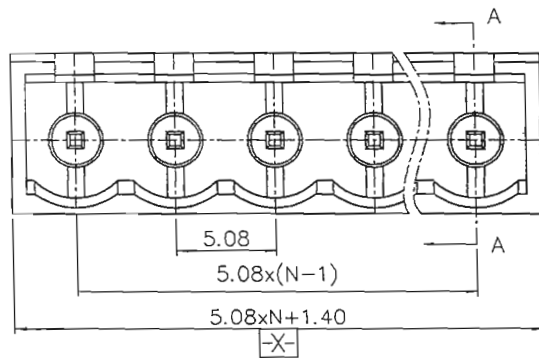
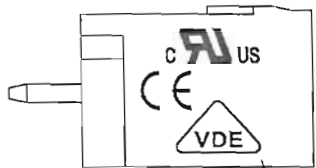
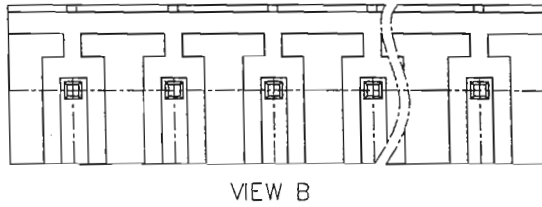


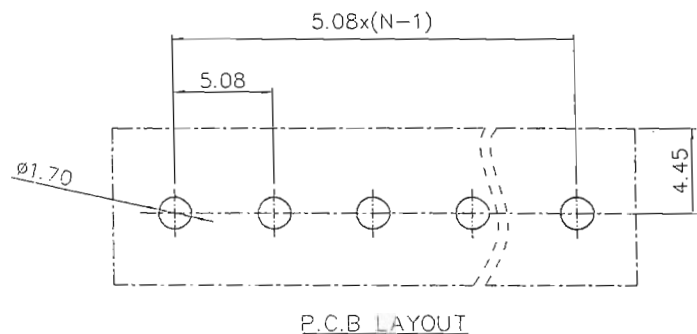


REVISION RECORD				
REV	ECN	DESCRIPTION	DRFT	DATE
△		图面更新	csx	05/06/06
△		增加VDE、CE刻字	YeJ	02/28/08
△		增加自动化方针	WLM	09/23/08
△	10-0329	增加标注尺寸	COCO	10/09/10
△	14-0107	黄铜变紫铜，料号变更；工频耐压变更为额定冲击电压	HHJ	12/22/14



Pitch range in mm			Nominal dimension range in mm				
to	over	to	to	to	to	to	
6	6	10	30	60	100	150	□
10	10	24	30	60	100	150	○
±0.10	±0.15	±0.25	±0.2	±0.3	±0.5	±0.7	±1.0

- NOTES:
- 1.DIMENSION SHALL BE INTERPRETED PER ASME Y14.5-2009.
  - 2.PITCH: 5.08MM,POLES: 2-24P
  - 3.RATED VOLTAGE/CURRENT: UL 300V/15A VDE 320V/20A
  - 4.OPERATION TEMPERATURES: -40°C~+105°C
  - 5.RATED IMPULSE VOLTAGE: 4.0KV
  - 6.INSULATION RESISTANCE: 5000MΩ/DC1000V
  - 7.UNDIMENSIONED TOLERANCES:



ITEM	NAME OF PART	NO. OF PART	Q'TY	MATERIAL	NOTES
2	2EDGV-Pin header Automatic assembly	1007B00340(H)	XX	COPPER	Sn Plated
2	2EDGV-Pin header Manual assembly	1007B00330(H)	XX	COPPER	Sn Plated
1	2EDGVC-5.08 Housing	1009A0YXXA(H)	1	PA66	UL94V-0

DEGSON 宁波高正电子有限公司  
DEGSON ELECTRONICS CO., LTD.

NAME: 2EDGVC-5.08-XXP-1Y-00A(H)

TITLE: ASSEMBLY DRAWING

DRAWING NO.: 2EDGVC-5.08-E06

REV: T5

APPD: Agon 11/23/14

CHKD: X m 12/23/14

DRFT: HW 08/23/05

DO NOT SCALE DRAWING

SCALE: N/A

SHEET: 1/1