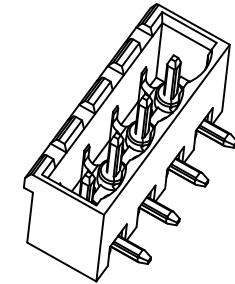
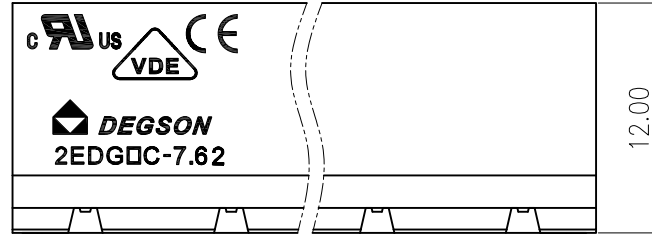
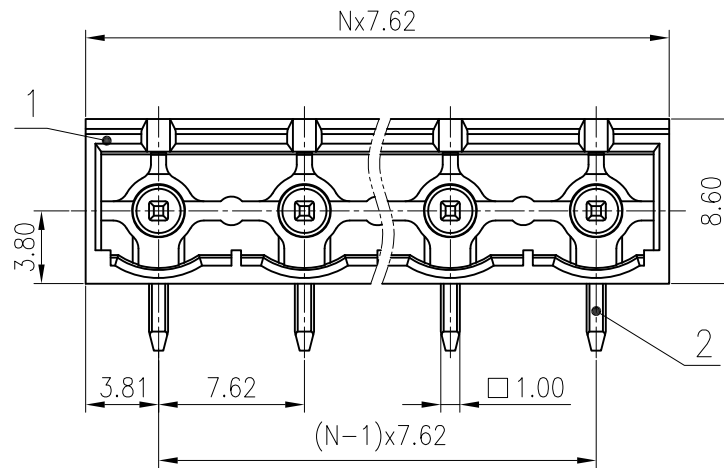
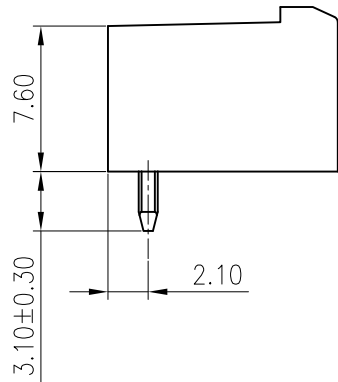




未注公差/General tolerances(mm)											0.1/10		
0	>3	>6	>10	>18	>30	>50	>80	>120	>180	>250		>315	>400
~3	~6	~10	~18	~30	~50	~80	~120	~180	~250	~315	~400	~500	~2.50
±0.12	±0.18	±0.22	±0.26	±0.31	±0.37	±0.57	±0.80	±0.93	±1.05	±1.15	±1.60	±2.20	±2.50

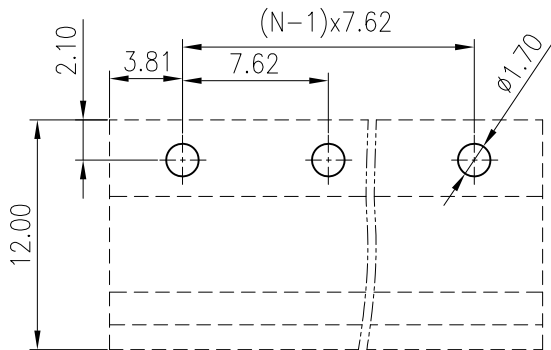


文管中心
研发专用
2020.03.24
(仅限内部使用, 对外无效)



2	Pin header	Copper	Sn Plated
1	Housing	PA66	UL94V-0
ITEM	NAME OF PART	MATERIAL	NOTES
UL 标准/UL Standard:		B	C
额定电压/电流/Rated Voltage(V)/Current(A)		300/15	300/10
VDE 标准/VDE Standard:			
过压类别/Overvoltage Category/污染等级/Pollution Degree		III/3	III/2
额定电压/电流/Rated Voltage(V)/Current(A)		/	400/20
额定脉冲电压(KV)/Rate Impulse Voltage(KV)		/	4
间距/Pitch(mm)/线数范围/Poles		7.62/N=02~12P	
使用温度范围/Operating temperature(°C)		-40~+105	
符合RoHS环保要求/Conform to RoHS		Yes	

PCB LAYOUT



MATERIAL: /	SURFACE: /		
MAT NO.: /	宁波高松电子有限公司 NINGBO DEGSON ELECTRICAL CO., LTD		
STATUS: /			
APPD: LanChH 2020.03.24	NAME: 2EDGRC-7.62-XXP-1Y-100A(H)		
CHKD: GongYZh 2020.03.24	DRAWING NO.: 10001583		
DRFT: LiY 2020.03.24	REV: TO		TO
⊕	SIZE: A4	TYPE: CUSTOMER DRAWING	SCALE: 2.5:1 SHEET 1/1

REV	ECN	DESCRIPTION	DRFT	DATE