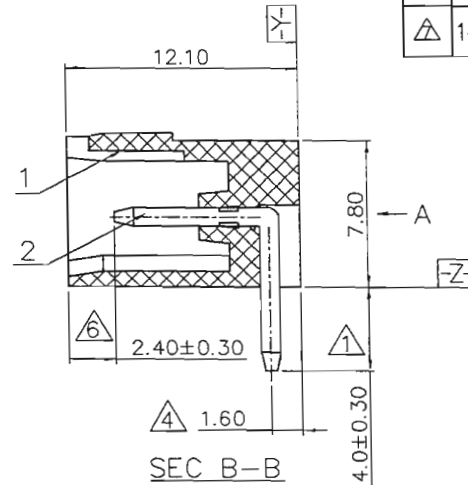
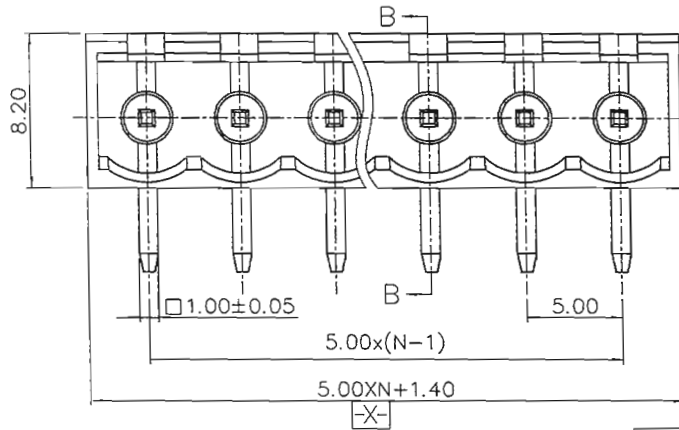
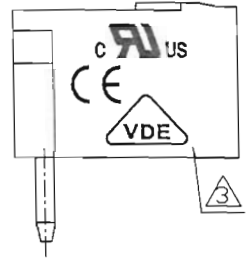
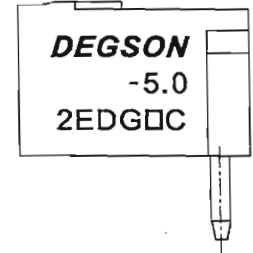


VIEW A



SEC B-B



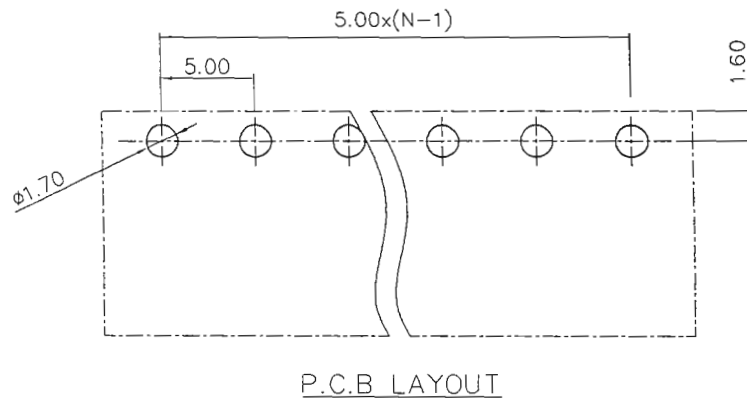
DEGSON
-5.0
2EDGRC

REVISION RECORD				
REV	ECN	DESCRIPTION	DRFT	DATE
△		4.5±0.1变更到4.0±0.3	DZJ	06/14/05
△		图面更新	CSX	04/08/06
△		增加VDE、CE刻字	YeJ	02/26/08
△		更新图面	LJH	04/16/08
△		增加自动化方针	WLM	09/23/08
△	10-0329	增加标注尺寸	COCO	09/0/08
△	14-0107	黄铜变紫铜, 料号变更; 工频耐压变更为额定冲击电压	XLM	06/23/14

NOTES:

- 1.DIMENSION SHALL BE INTERPRETED PER ASME Y14.5-2009.
- 2.PITCH: 5.0MM ,POLES: 2-24P
- 3.RATED VOLTAGE/CURRENT: UL 300V/15A VDE 320V/20A
- 4.OPERATION TEMPERATURES: -40℃~+105℃
- 5.RATED IMPULSE VOLTAGE: 4.0KV
- 6.INSULATION RESISTANCE: 5000MΩ/DC1900V
- 7.UNDIMENSIONED TOLERANCES:

Pitch range in mm			Nominal dimension range in mm				
to 6	over 6 to 10	over 10 to 24	to 30	over 30 to 60	over 60 to 100	over 100 to 150	
±0.10	±0.15	±0.25	±0.2	±0.3	±0.5	±0.7	±1.0
							0.05/0.10



P.C.B LAYOUT

ITEM	NAME OF PART	NO. OF PART	Q'TY	MATERIAL	NOTES
△ 5	2 2EDGR(A)-Pin header Automatic assembly	1008B00340(H)	XX	COPPER	Sn Plated
△	2 2EDGR(A)-Pin header Manual assembly	1008B00330(H)	XX	COPPER	Sn Plated
	1 2EDGRC-5.0 Housing	1019A0YXXA(H)	1	PA66	UL94V-0

TOLERANCES EXCEPT AS NOTED .X ± .X' ± .XX ± .XX' ± .XXX ± .XXX' ±		MATERIAL: FINISH: PART NO.:		宁波高正电子有限公司 DEGSON ® DEGSON ELECTRONICS CO., LTD	
ANGLES ± 1° THIRD ANGLE PROJECTION		APPD: <i>Aspxm 11/22/14</i> CHKD: <i>XLM 12/20/14</i> DRFT: HW 05/05/05"		NAME: 2EDGRC-5.0-XXP-1Y-00A(H)	
		TITLE: ASSEMBLY DRAWING DRAWING NO.: 2EDGRC-5.0-E02		REV: 17	SHEET: 1/1
		DO NOT SCALE DRAWING		SCALE: N/A	SHEET: 1/1