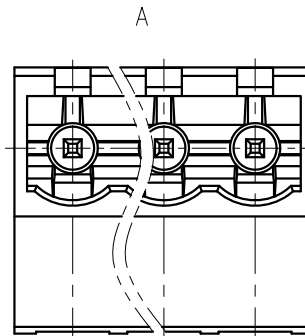
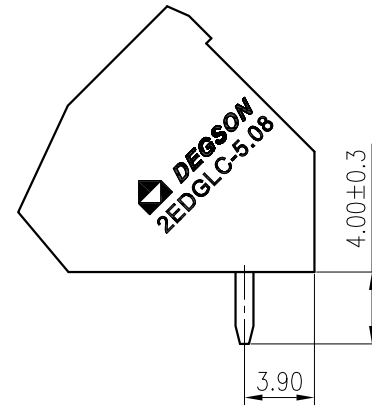
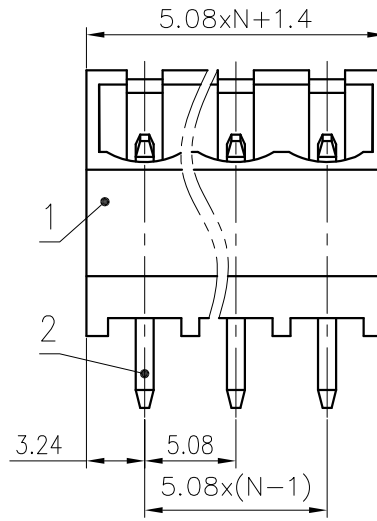
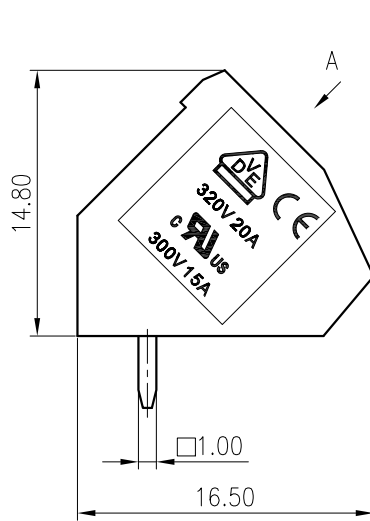
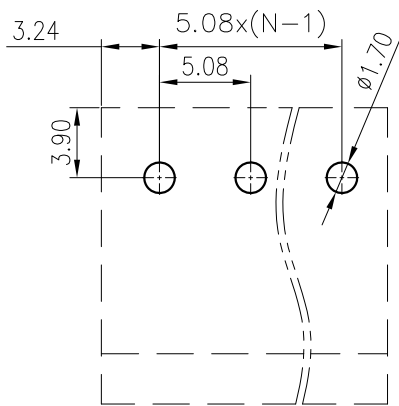




未注公差/General tolerances(mm)													0.1/10	
0	>3	>6	>10	>18	>30	>50	>80	>120	>180	>250	>315	>400	>500	±2'
~3	~6	~10	~18	~30	~50	~80	~120	~180	~250	~315	~400	~500		
±0.12	±0.18	±0.22	±0.26	±0.31	±0.37	±0.57	±0.80	±0.93	±1.05	±1.15	±1.60	±2.20	±2.50	



PCB LAYOUT



2	Pin	Copper	Sn Plated	
1	Housing	PA66	UL94V-0	
ITEM	NAME OF PART	MATERIAL	NOTES	
UL 标准/UL Standard:		B	C	D
额定电压/电流/Rated Voltage(V)/Current(A)		300/15	/	300/10
IEC 标准/IEC Standard:				
过压类别/Overvoltage Category/污染等级/Pollution Degree		III/3	III/2	II/2
额定电压/电流/Rated Voltage(V)/Current(A)		/	320/20	/
额定脉冲电压(KV)/Rate Impulse Voltage(KV)		/	4.0	/
间距/Pitch(mm)/线数范围/Poles		5.08/N=02~24P		
使用温度范围/Operating temperature(°C)		-40~+105		
符合RoHS环保要求/Conform to RoHS		Yes		

MATERIAL:		SURFACE:			
MAT NO.:	/	宁波高松电子有限公司 NINGBO DEGSON ELECTRICAL CO., LTD			
STATUS:	/				
APPD:	LanChH 2020.05.16				
CHKD:	GongYzh 2020.05.16	NAME: 2EDGLC-5.08-XXP-1Y-00A(H)			
DRFT:	Yz 2015.11.12	DRAWING NO.:	2EDGLC-5.08-C01	REV	T1
SIZE: A4		TYPE: CUSTOMER DRAWING		SCALE: 2.5:1	SHEET 1/1

REV	ECN	DESCRIPTION	DRFT	DATE