



未注公差/General tolerances(mm)													D 0.1/10
0	>3	>6	>10	>18	>30	>50	>80	>120	>180	>250	>315	>400	
~3	~6	~10	~18	~30	~50	~80	~120	~180	~250	~315	~400	~500	
±0.12	±0.18	±0.22	±0.26	±0.31	±0.37	±0.57	±0.80	±0.93	±1.05	±1.15	±1.60	±2.20	±2.50
													±2'

A

B

C

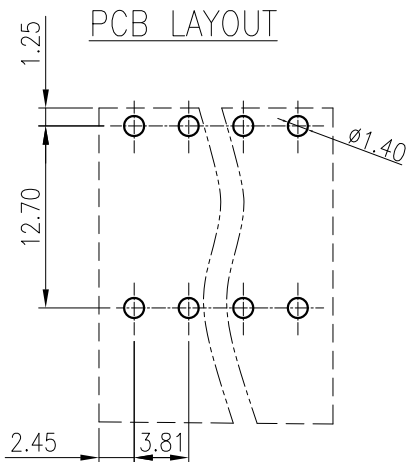
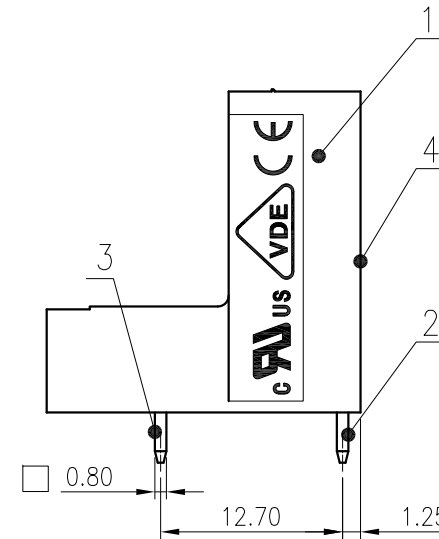
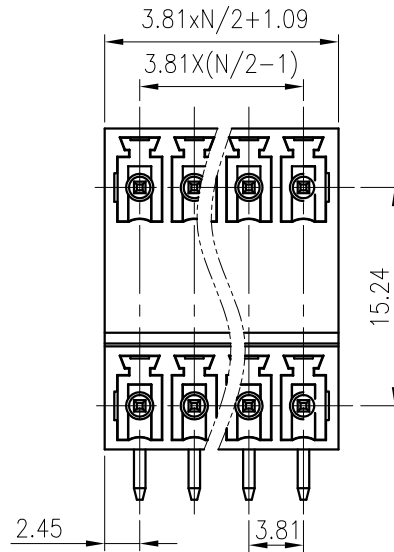
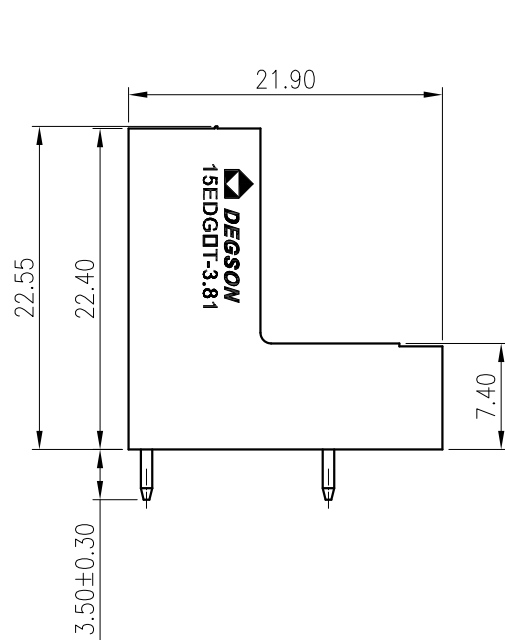
D

A

B

C

D



4	Cover	PA66	UL94V-0
3	Pin 2	Copper alloy	Sn plated
2	Pin 1	Copper alloy	Sn plated
1	Housing	PA66	UL94V-0

ITEM	NAME OF PART	MATERIAL	NOTES
UL 标准/UL Standard:		B	C
额定电压/电流/Rated Voltage(V)/Current(A)		300/8	/
IEC 标准/IEC Standard:			
过压类别/Overvoltage Category/污染等级/Pollution Degree		III/3	III/2
额定电压/电流/Rated Voltage(V)/Current(A)		/	/
额定脉冲电压(KV)/Rate Impulse Voltage(KV)		/	250/7
间距/Pitch(mm)/线数范围/Poles		3.81/N=04~48P	
使用温度范围/Operating temperature(°C)		-40~+105	
符合RoHS环保要求/Conform to RoHS		Yes	

MATERIAL:		SURFACE:	
MAT NO.:	/	宁波高松电子有限公司 NINGBO DEGSON ELECTRICAL CO., LTD	
STATUS:	/		
APPD: Lan ChH	2020.05.27	NAME:	
CHKD: Yu JZh	2020.05.27	15EDGRT-3.81-XXP-1Y-00A(H)	
DRFT: Wu LF	2020.05.27	DRAWING NO.:	10002165
SIZE: A4 $\frac{mm}{(inch)}$		TYPE:	CUSTOMER DRAWING
		SCALE:	2:1
REV	ECN	DESCRIPTION	DRFT
			DATE
			REV
			TO
			SHEET
			1/1