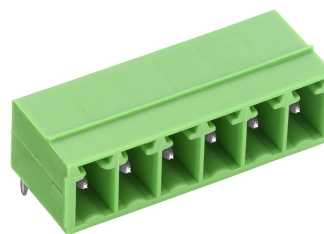


STL1550/..G-3.5-H-GREEN



Technical Data

Wire Sizes	Insulating Material
Solid min -	Material PA 6.6
solid max -	Flammability Class UL 94 V-0
Stranded (flexible) -	Temperatures
min	Operating Temperature -30 °C - 105 °C
Stranded (flexible) -	Wave Soldering Process
max	Soldering Temperature, recommended 265 °C
Stranded with Ferrule -	Peak Soldering Time, recommended 3-4 s
min	Reflow Process
Stranded with Ferrule -	Soldering Temperature, recommended -
max	Peak Soldering Time, recommended -
Dimensions	
Stripped Length	
PCB Hole Diameter 1.2 mm	
Materials	
Contact Pin Copper Alloy	

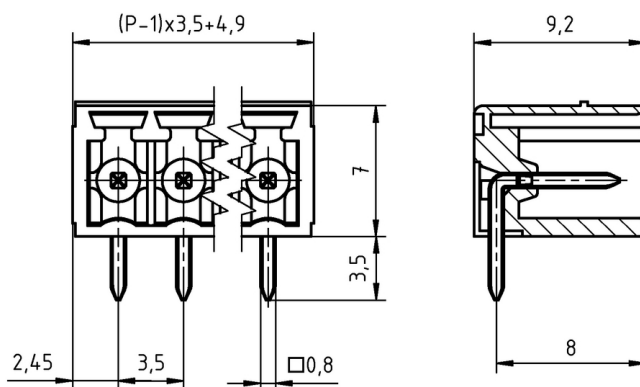
Colours

	GREEN, RAL6018
	BLACK, RAL9011
	BASALT GREY, RAL7012
	LIGHT GREEN, similar RAL 6018

Colours according to RAL, there may be variations on colour due to production conditions. Special colours on request.

Counterparts (Spacing 3.5 mm)

Pin Strip/Terminal Blocks			
AK1550	AK4561	AK1700	AK4551



Order Data (Spacing 3.5 mm)

Poles	Width (mm)	Article Designation	Article Number	PU
2	8.40	STL1550/2G-3.5-H-GREEN	51550025001F	200
3	11.90	STL1550/3G-3.5-H-GREEN	51550035001F	200
4	15.40	STL1550/4G-3.5-H-GREEN	51550045001F	200
5	18.90	STL1550/5G-3.5-H-GREEN	51550055001F	200
6	22.40	STL1550/6G-3.5-H-GREEN	51550065001E	100
7	25.90	STL1550/7G-3.5-H-GREEN	51550075001E	100
8	29.40	STL1550/8G-3.5-H-GREEN	51550085001D	50
9	32.90	STL1550/9G-3.5-H-GREEN	51550095001D	50
10	36.40	STL1550/10G-3.5-H-GREEN	51550105001D	50
11	39.90	STL1550/11G-3.5-H-GREEN	51550115001D	50
12	43.40	STL1550/12G-3.5-H-GREEN	51550125001D	50
13	46.90	STL1550/13G-3.5-H-GREEN	51550135001D	50
14	50.40	STL1550/14G-3.5-H-GREEN	51550145001D	50
15	53.90	STL1550/15G-3.5-H-GREEN	51550155001D	50
16	57.40	STL1550/16G-3.5-H-GREEN	51550165001D	50
17	60.90	STL1550/17G-3.5-H-GREEN	51550175001D	50
18	64.40	STL1550/18G-3.5-H-GREEN	51550185001D	50
19	67.90	STL1550/19G-3.5-H-GREEN	51550195001D	50
20	71.40	STL1550/20G-3.5-H-GREEN	51550205001D	50

Accessories

Figure	Designation	Article Number
	Coding star CS1-3.5/3.81-RED	50000000023

Ratings



Usegroup	B	C	D	
Rated Voltage	300 V	-	300 V	160 V
Rated Current	8 A	-	8 A	9 A
Overtoltage Category				III
Test Voltage	1.6 kV	-	1.6 kV	2.5 kV
Pollution Degree				3