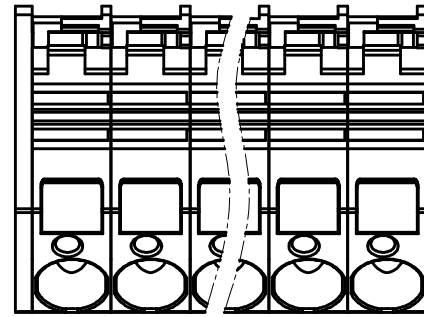


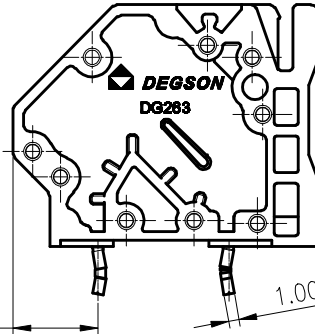
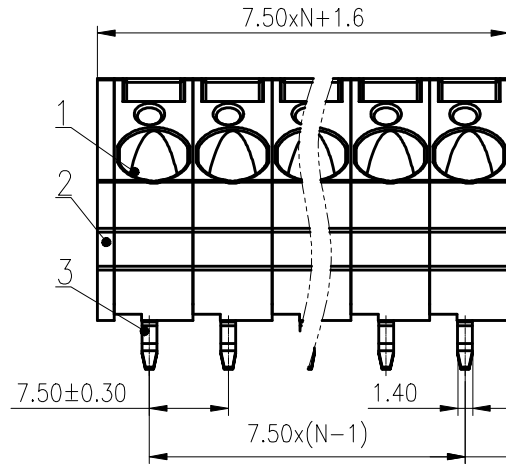
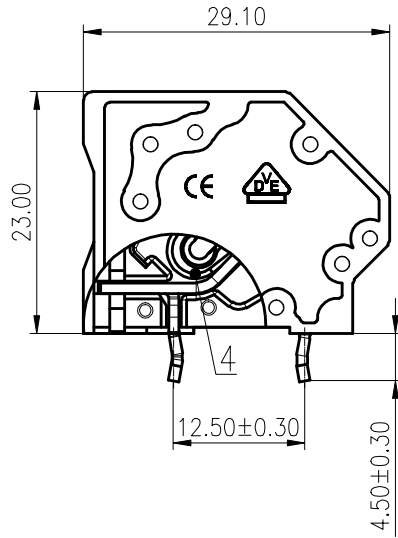


| 未注公差/General tolerances(mm) | | | | | | | | | | | 0.1/10 ±2' | | |
|-----------------------------|-------|-------|-------|-------|-------|-------|-------|-------|-------|-------|---------------|-------|-------|
| 0 | >3 | >6 | >10 | >18 | >30 | >50 | >80 | >120 | >180 | >250 | | >315 | >400 |
| ~3 | ~6 | ~10 | ~18 | ~30 | ~50 | ~80 | ~120 | ~180 | ~250 | ~315 | ~400 | ~500 | ~500 |
| ±0.12 | ±0.18 | ±0.22 | ±0.26 | ±0.31 | ±0.37 | ±0.57 | ±0.80 | ±0.93 | ±1.05 | ±1.15 | ±1.60 | ±2.20 | ±2.50 |

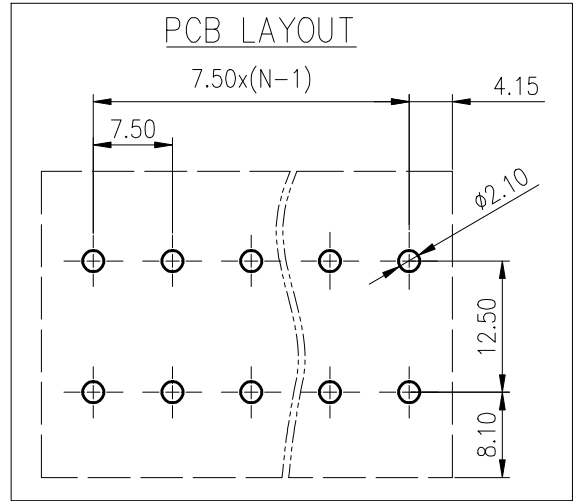
A



B



C



D

| | | | |
|---|------------|-----------------|-----------|
| 4 | Spring | Stainless steel | / |
| 3 | Pin Header | Copper | Sn Plated |
| 2 | Cover | PA66 | UL94V-0 |
| 1 | Housing | PA66 | UL94V-0 |

| ITEM | NAME OF PART | MATERIAL | NOTES |
|--|--------------|---------------|--------|
| UL 标准/UL Standard: | | B | C |
| 额定电压/电涌/Rated Voltage(V)/Current(A) | | 300/30 | / |
| IEC 标准/IEC Standard: | | | |
| 过压类别/Overvoltage Category/污染等级/Pollution Degree | | III/3 | III/2 |
| 额定电压/电涌/Rated Voltage(V)/Current(A) | | 500/41 | 630/41 |
| 额定电涌电压(KV)/Rate Impulse Voltage(KV) | | 6 | 6 |
| 线径范围(硬线和软线)/Wire Range(rigid and flexible)(mm ² /AWG) | | 0.2~6/24~10 | |
| 间距/Pitch(mm)/线数范围/Poles | | 7.50/N=01~16P | |
| 剥线长度/Stripping length(mm) | | 11~12 | |
| 使用温度范围/Operating temperature(°C) | | -40~+105 | |
| 符合RoHS环保要求/Conform to RoHS | | Yes | |

| | | | |
|------------------------|---|--------------|-----------|
| MATERIAL: / | SURFACE: / | | |
| MAT NO.: / | 宁波高松电子有限公司 NINGBO DEGSON ELECTRICAL CO., LTD | | |
| STATUS: / | | | |
| APPD: Li GL 2020.06.13 | NAME: DG263-7.5-XXP-1Y-00A(H) | | |
| CHKD: Ma EK 2020.06.13 | DRAWING NO.: DG263-7.5-C01 | | REV T3 |
| DRFT: WWF 2015.08.04 | TYPE: CUSTOMER DRAWING | | |
| ④ | SIZE: A4 | SCALE: 1.5:1 | SHEET 1/1 |

| REV | ECN | DESCRIPTION | DRFT | DATE |
|-----|-----|-------------|------|------|
| | | | | |