



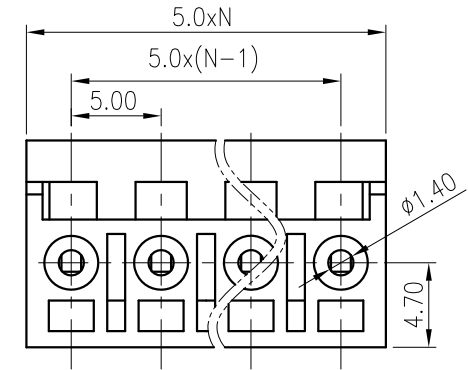
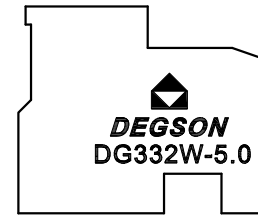
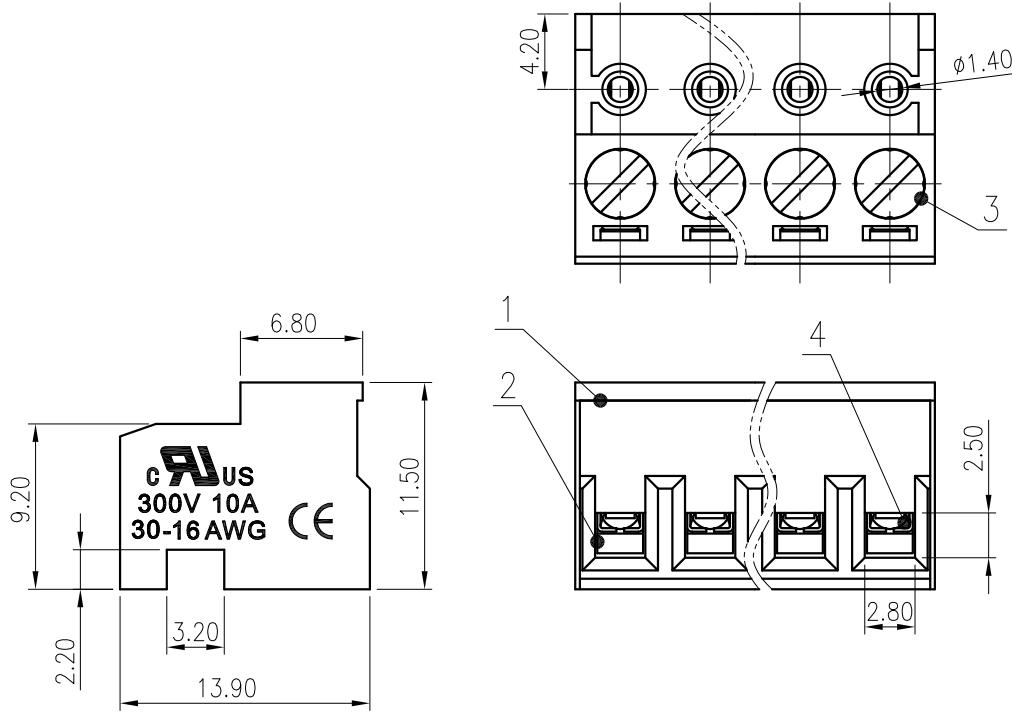
未注公差/General tolerances(mm)													0.1/10
0	>3	>6	>10	>18	>30	>50	>80	>120	>180	>250	>315	>400	
~3	~6	~10	~18	~30	~50	~80	~120	~180	~250	~315	~400	~500	>500
±0.12	±0.18	±0.22	±0.26	±0.31	±0.37	±0.57	±0.80	±0.93	±1.05	±1.15	±1.60	±2.20	±2.50

A

B

C

D



A

B

C

D

ITEM	NAME OF PART	MATERIAL	NOTES
4	Clamp	Copper alloy	Sn plated
3	Screw	Steel	M2.5/Zn plated
2	Cage	Copper alloy	M2.5/Ni plated
1	Housing	PA66	UL94V-0

REV	ECN	DESCRIPTION	DRFT	DATE

MATERIAL:		SURFACE:	
MAT NO.: /		宁波高松电子有限公司 NINGBO DEGSON ELECTRICAL CO., LTD	
STATUS: /			
APPD: Lan ChH 2020.05.21		NAME: DG332W-5.0-XXP-1Y-00A(H)	
CHKD: Yu JZh 2020.05.21		DRAWING NO.: 10002131	
DRFT: Wu LF 2020.05.21		REV: TO	
SIZE: A4 $\leftarrow \frac{\text{mm}}{\text{inch}} \rightarrow$		TYPE: CUSTOMER DRAWING	
		SCALE: 2.5:1	
		SHEET 1/1	

UL 标准/UL Standard:	B	C	D
额定电压/电流/Rated Voltage(V)/Current(A)	300/10	/	300/10
EC 标准/IEC Standard:			
过压类别/Overvoltage Category/污染等级/Pollution Degree	III/3	III/2	II/2
额定电压/电流/Rated Voltage(V)/Current(A)	/	250/12	/
工频耐压/Withstanding voltage(V/1Min)	AC2000		
螺丝扭矩/Torque Tightening(N·m/Lb.in)	M2.5, 0.4/3.54		
线径范围(硬线和软线)/Wire Range(rigid and flexible)(mm ² /AWG)	0.2~1.5/30~16		
间距/Pitch(mm)/线数范围/Poles	5.0/N=02~12P		
剥线长度/Stripping length(mm)	5~6.5		
使用温度范围/Operating temperature(°C)	-40~+105		
符合RoHS环保要求/Conform to RoHS	Yes		