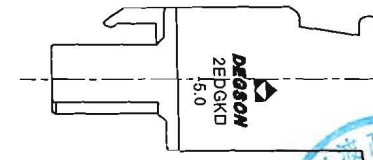
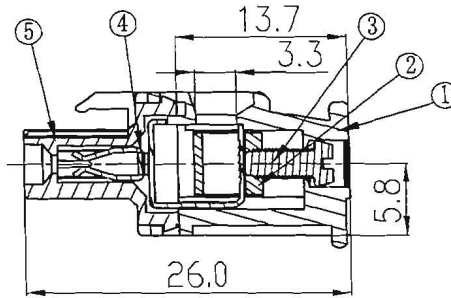
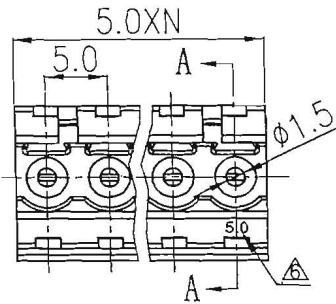
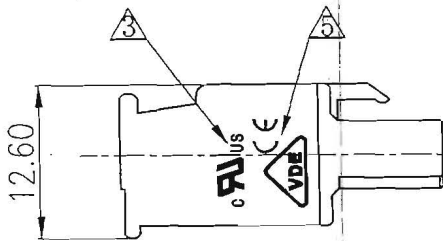


| REVISION RECORD | | | | |
|-----------------|---------|-----------------|---------|----------|
| REV | ECO | DESCRIPTION | DRFT | DATE |
| △ | | 图面更新 | CSX | 04/18/06 |
| △ | | 工程变更 | CSX | 11/30/06 |
| △ | | 增加UL刻字 | CSX | 03/12/07 |
| △ | | 品名、料号增加环保标示(01) | LJH | 12/11/07 |
| △ | | 增加VDE、CE刻字 | WLM | 02/10/09 |
| △ | 11-0184 | 盖板上增加间距刻字 | lasting | 07/10/11 |



Section A-A

Notes:

1. Pitch: 5.0mm, Poles: 2-24P
2. Rated voltage/current: UL 300V/15A
VDE 320V/10A
3. Operation temperatures: -45°C~+105°C
4. Withstanding Voltage: AC2000V/1min
5. Insulation Resistance: 5000Ω/DC1000V
6. Wire Range: 28~12AWG, 2.5mm²
7. Max. Torque Value: M2.5, 4.08kgf.cm
8. Undimensioned Tolerances:

| Pitch range in mm | | Nominal dimension range in mm | | | | | | |
|-------------------|-------|-------------------------------|------|------|------|------|------|--|
| to | over | over | over | over | over | over | | |
| 6 | 5 | 10 | 30 | 60 | 100 | 150 | ∩ | |
| to | to | to | to | to | to | to | | |
| 10 | 24 | 30 | 60 | 100 | 150 | | □ | |
| ±0.10 | ±0.15 | ±0.25 | ±0.2 | ±0.3 | ±0.5 | ±0.7 | ±1.0 | |

| ITEM | NAME OF PART | NO. OF PART | Q'TY | MATERIAL | NOTES |
|------|----------------------|----------------|------|----------------|---------------------|
| 5 | 2EDGKA/B-5.0 COVER | 1030COYXXA(H) | 1 | PA66 | UL94V-0 |
| 4 | 2EDGKA/B-CLAMP | 1028B00010(H) | XX | Phosbor Bronze | Ni plated |
| 3 | 2EDG SCREW-M2.5 | S000000980(H)△ | XX | Steel | Cr ³⁺ Zn |
| 2 | DG128 CAGE | X000000020(H) | XX | Brass | Ni plated |
| 1 | 2EDGKA/B-5.0 HOUSING | 1030AOYXXA(H) | 1 | PA66 | UL94V-0 |

| | | |
|---|--|--|
| DFTO W/P CHKD <i>lyg</i> DATE <i>04/22/04</i> INFO DATE APPVAL <i>Hang</i> DATE <i>07/14/11</i> | DATE <i>04/22/04</i> DATE DATE DATE | 宁波高正电子有限公司 DEGSON DEGSON ELECTRONICS CO., LTD |
| TOLERANCES EXCEPT AS NOTED MM .0 ± .00 ± .000 ± | | NAME 2EDGKA-5.0-XXP-1Y-00A(H) |
| ANGLES ± 1° G.E.: FINISH: SCALE: | | |
| DO NOT SCALE DRAWING | | DRAWING NO. 2EDGKA-5.0-E01 /PART NO. SIZE A3 REV T6 07/10/11 |