

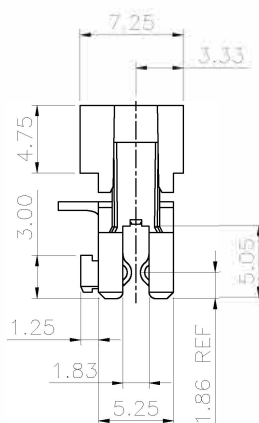
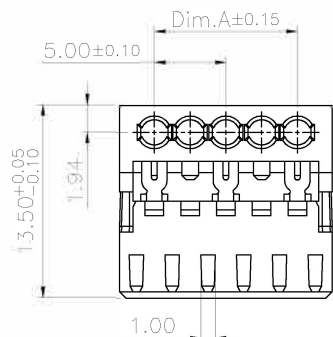
SHIPPING ARRANGEMENT
SCALE 2:1

Specifications:
Current Rating:2.0A AC,DC
Voltage Rating:250V AC,DC
Contact Resistance:10m ohm.Max
Insulation Resistance:1000M ohm.Min
Withstanding Voltage:1000V AC/Minute
Operating Temperature Range:-20°C~+85°C

Material:
Insulator:Thermoplastic (UL94V-0)
Insulator Color:Natural
Contact:Copper Alloy
Plated:Tin

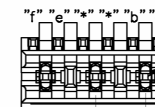
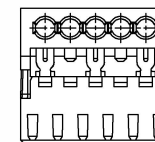
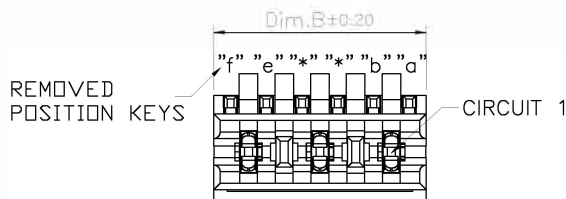
How To Order
2510-BXX-XX

See table(Page 5-9)
Please connect our sales for
more details
NO. of Contacts



Dimension Information:

B Type		
Pin.No	Dim.A	Dim.B
2	5.0	9.875
3	10.0	14.875
4	15.0	19.875
5	20.0	24.875
6	25.0	29.875
7	30.0	34.875
8	35.0	39.875
9	40.0	44.875
10	45.0	49.875



B Type

RoHS Compliant

F				DRAWN:	GENERAL TOLERANCE:
E				VITO	.X=±0.20 .XX=±0.15
D				CHECKED:	UNIT: MM
C				JERRY	SCALE: 1:1
B				APPROVAL:	SHEET: 1/9
A	24-FEB-2023		VITO	RORY	PROJECTION:
REV	DATE	FILE	BY		

Neltron Industrial Co., Ltd.

DESCRIPTION: 5.0mm Pitch Female IDC

PART NO: 2510-BXX-XX

SIZE **A4**

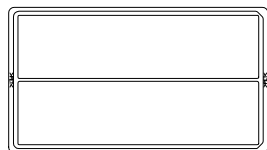
1

2

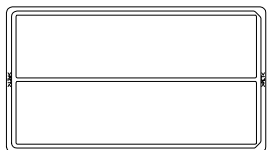
3

4

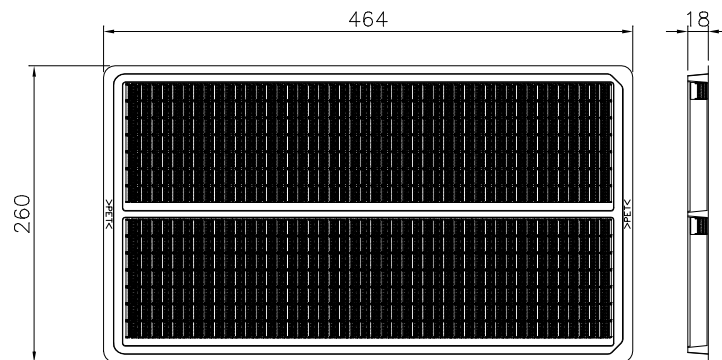
5



Cover

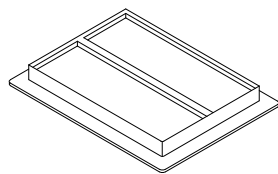


Bottom

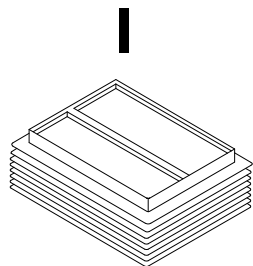


Tray Layout 902-2510

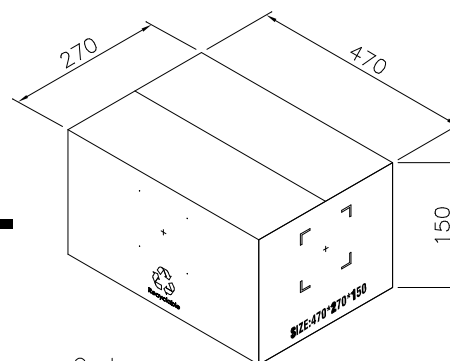
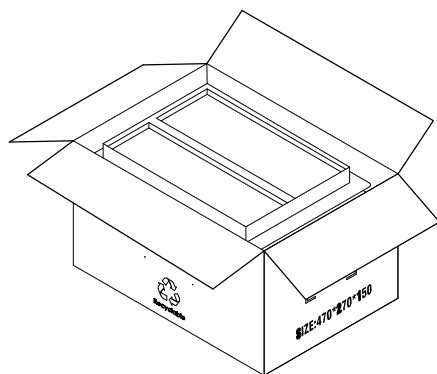
B Type		
Pin.	Pcs/Tray	Pcs/Carton
2	990	7920
3	630	5040
4	450	3600
5	360	2880
6	270	2160
7	270	2160
8	180	1440
9	180	1440
10	180	1440



Tray



8Trays/Carton



Carton

Note:

1.Dimension:

Tray Size:464(L)x260(W)x18(H) (mm)

Carton Size:470(L)x270(W)x150(H) (mm)

2.Quantity:

XXPcs/Tray

8Trays/Catron

RoHS Compliant

F

E

D

C

B

A

REV

24-FEB-2023

DATE

FILE

VITO

BY

DRAWN:

VITO

CHECKED:

JERRY

APPROVAL:

RORY

GENERAL TOLERANCE:

.X=±0.20

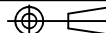
.XX=±0.15

UNIT: MM

SCALE: 1:1

SHEET: 2/9

PROJECTION:

**Neltron Industrial Co., Ltd.**

DESCRIPTION:

5.0mm Pitch Female IDC Packing List

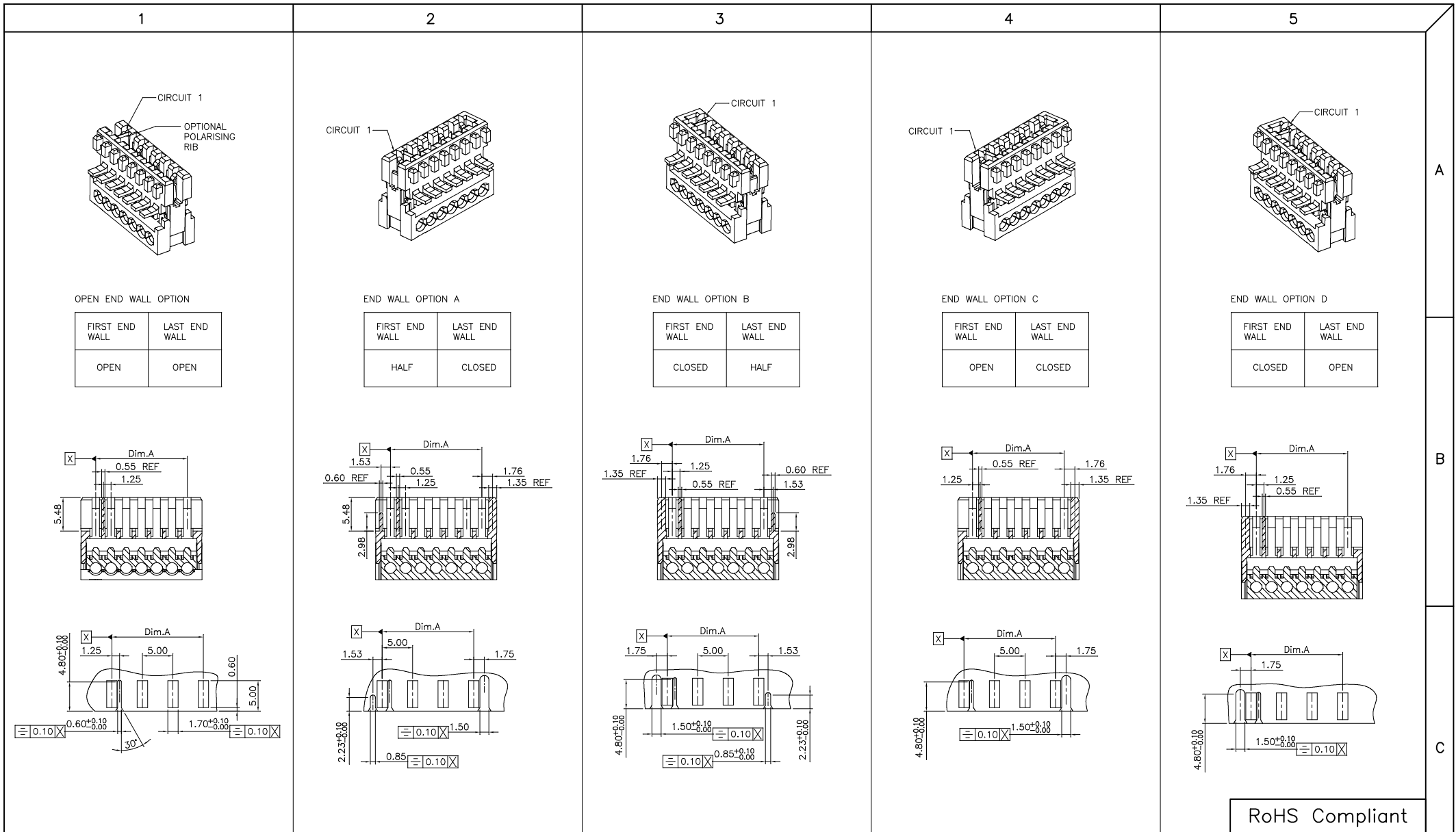
PART NO:

2510-BXX-XX

SIZE

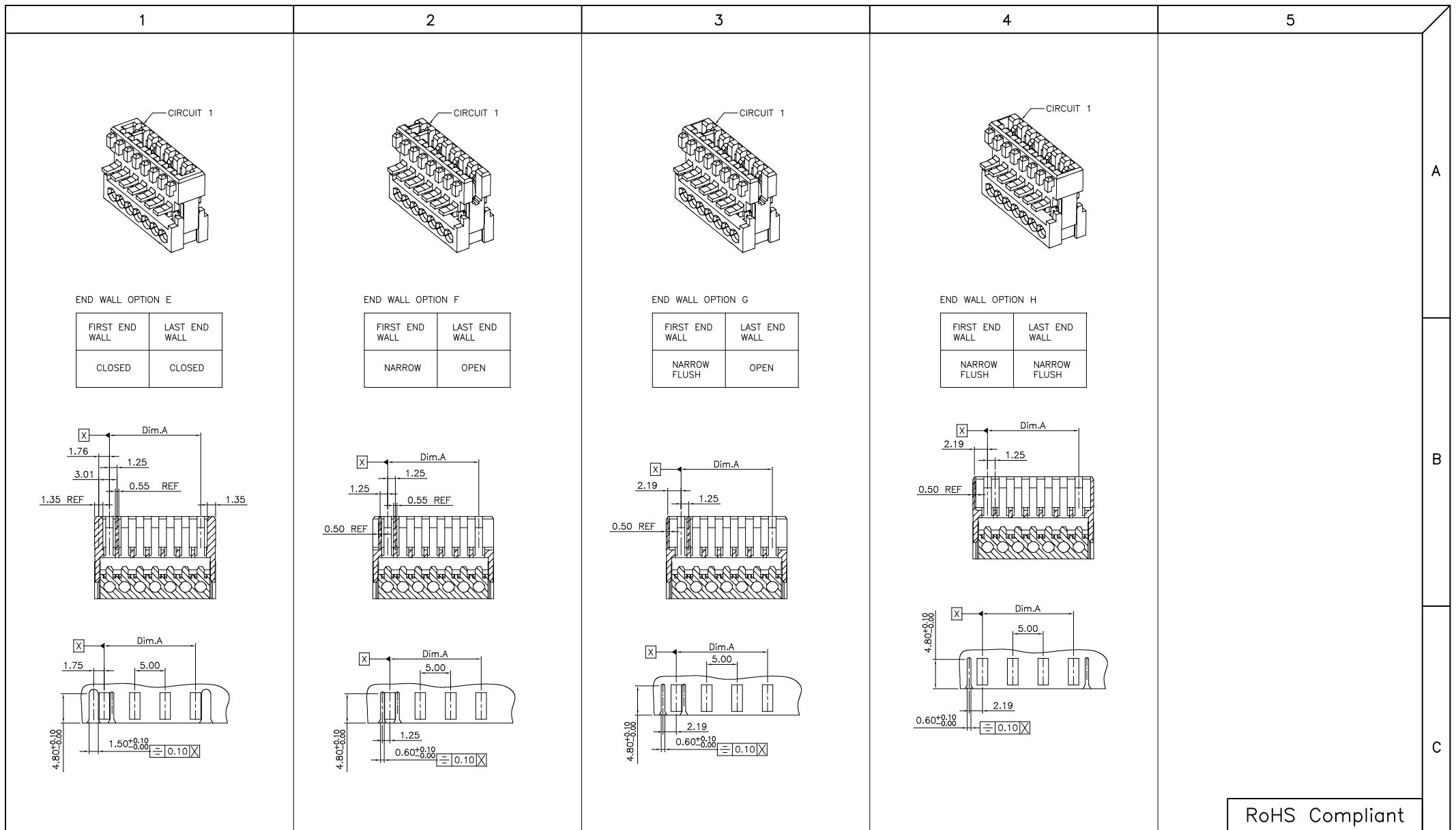
A4

D


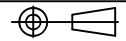


RoHS Compliant

F				DRAWN:	GENERAL TOLERANCE:	Neltron Industrial Co., Ltd.	DESCRIPTION: 5.0mm Pitch Female IDC	SIZE
E				VITO	.X=±0.20 .XX=±0.15			
D				CHECKED:	UNIT: MM	PART NO: 2510-BXX-XX	A4	
C				JERRY	SCALE: 1:1			
B				APPROVAL:	SHEET: 3/9			
A	24-FEB-2023		VITO	RORY	PROJECTION:			
REV	DATE	FILE	BY					



RoHS Compliant

F				DRAWN:	GENERAL TOLERANCE:	 Neltron Industrial Co., Ltd.	
E				VITO	.X=±0.20 .XX=±0.15		
D				CHECKED:	UNIT: MM	DESCRIPTION: 5.0mm Pitch Female IDC	
C				JERRY	SCALE: 1:1		
B				APPROVAL:	SHEET: 4/9	PART NO: 2510-BXX-XX	
A	24-FEB-2023		VITO	RORY	PROJECTION: 		
REV	DATE	FILE	BY			A4	

A
B
C

D

2 CIRCUIT						
PART NUMBER	REMOVED POSITION KEYS	CONFIGURATION	FIRST ENDWALL	LAST ENDWALL	POLARIZING RIB BETWEEN	COLOUR STRIPE
2510-B02-01	NONE		OPEN	OPEN	NONE	RED
2510-B02-02	NONE		OPEN	OPEN	NONE	NONE
2510-B02-03	a		OPEN	OPEN	NONE	NONE
2510-B02-04	b		OPEN	OPEN	NONE	BLUE
2510-B02-05	c		OPEN	OPEN	NONE	NONE
2510-B02-06	c		OPEN	OPEN	NONE	BLACK
2510-B02-07	b d		OPEN	OPEN	NONE	BLUE
2510-B02-08	b c		OPEN	OPEN	NONE	BLUE
2510-B02-09	a b		OPEN	OPEN	NONE	NONE
2510-B02-10	b d		OPEN	OPEN	NONE	NONE
2510-B02-11	b		OPEN	OPEN	NONE	NONE
2510-B02-12	b c		OPEN	OPEN	NONE	NONE
2510-B02-13	a d		OPEN	OPEN	NONE	NONE
2510-B02-14	a c		OPEN	OPEN	NONE	NONE
2510-B02-15	a d		OPEN	OPEN	BETWEEN CCT 1&2	NONE
2510-B02-16	d		OPEN	OPEN	NONE	BLUE
2510-B02-17	c d		OPEN	OPEN	NONE	RED
2510-B02-18	a d		OPEN	OPEN	NONE	BLUE
2510-B02-19	a b		OPEN	OPEN	NONE	BLUE
2510-B02-20	c		OPEN	CLOSED	NONE	NONE
2510-B02-21	a b c		OPEN	OPEN	NONE	NONE
2510-B02-22	d		OPEN	OPEN	NONE	NONE
2510-B02-23	ALL		OPEN	OPEN	NONE	NONE
2510-B02-24	c d		OPEN	OPEN	NONE	NONE
2510-B02-25	ALL		OPEN	OPEN	NONE	BLACK
2510-B02-26	a b c		OPEN	OPEN	NONE	BLUE
2510-B02-27	a c		OPEN	CLOSED	NONE	NONE
2510-B02-28	a c d		OPEN	OPEN	NONE	VIOLET
2510-B02-29	c		OPEN	OPEN	NONE	BLUE
2510-B02-30	a		OPEN	OPEN	NONE	BLACK

2 CIRCUIT						
PART NUMBER	REMOVED POSITION KEYS	CONFIGURATION	FIRST ENDWALL	LAST ENDWALL	POLARIZING RIB BETWEEN	COLOUR STRIPE
2510-B02-31	d		OPEN	OPEN	NONE	YELLOW
2510-B02-32	b d		OPEN	OPEN	NONE	BROWN
2510-B02-33	b		OPEN	OPEN	NONE	GREEN
2510-B02-34	c d		OPEN	OPEN	NONE	BLUE
2510-B02-35	a b d		OPEN	OPEN	NONE	NONE
2510-B02-36	a c		OPEN	OPEN	NONE	GREEN
2510-B02-37	b d		OPEN	OPEN	NONE	RED
2510-B02-38	NONE		OPEN	OPEN	NONE	BLUE
2510-B02-39	b c d		OPEN	OPEN	NONE	NONE
2510-B02-40	NONE		CLOSED	OPEN	BETWEEN CCT 1&2	NONE
2510-B02-41	NONE		CLOSED	CLOSED	BETWEEN CCT 2&3	NONE
2510-B02-42	ALL		OPEN	OPEN	NONE	BLUE
2510-B02-43	NONE		OPEN	OPEN	BETWEEN CCT 2&3	NONE
2510-B02-44	b		OPEN	OPEN	BETWEEN CCT 1&2	NONE
2510-B02-45	a		OPEN	OPEN	BETWEEN CCT 1&2	NONE
2510-B02-46	NONE		OPEN	OPEN	NONE	GREEN
2510-B02-47	NONE		OPEN	OPEN	NONE	BROWN
2510-B02-48	d		OPEN	OPEN	NONE	BLACK
2510-B02-49	a c		OPEN	OPEN	NONE	RED
2510-B02-50	NONE		OPEN	OPEN	NONE	ORANGE
2510-B02-51	a		OPEN	OPEN	BETWEEN CCT 2&3	RED
2510-B02-52	NONE		OPEN	OPEN	NONE	BLACK
2510-B02-53	b c		OPEN	OPEN	NONE	BLACK
2510-B02-54	NONE		OPEN	CLOSED	BETWEEN CCT 1&2	BLUE
2510-B02-55	NONE		CLOSED	OPEN	BETWEEN CCT 1&2	RED
2510-B02-56	NONE		CLOSED	OPEN	BETWEEN CCT 2&3	RED
2510-B02-57	NONE		CLOSED	CLOSED	NONE	NONE
2510-B02-58	NONE		OPEN	OPEN	BETWEEN CCT 1&2	NONE
2510-B02-59	a b c		OPEN	OPEN	NONE	BLACK
2510-B02-60	a b		OPEN	OPEN	NONE	RED

RoHS Compliant

F				DRAWN: VITO	GENERAL TOLERANCE: .X=±0.20 .XX=±0.15	Neltron Industrial Co., Ltd.
E						
D				CHECKED: JERRY	UNIT: MM	DESCRIPTION: 5.0mm Pitch Female IDC
C					SCALE: 1:1	
B				APPROVAL: RORY	SHEET: 5/9	PART NO: 2510-BXX-XX
A	24-FEB-2023		VITO		PROJECTION:	
REV	DATE	FILE	BY			

2 CIRCUIT						
PART NUMBER	REMOVED POSITION KEYS	CONFIGURATION	FIRST ENDWALL	LAST ENDWALL	POLARIZING RIB BETWEEN	COLOUR STRIPE
2510-B02-61	a b c		OPEN	OPEN	NONE	NONE
2510-B02-62	c		OPEN	OPEN	NONE	RED
2510-B02-63	a b c		OPEN	OPEN	NONE	BROWN
2510-B02-64	b c d		OPEN	OPEN	NONE	BLACK
2510-B02-65	b		OPEN	OPEN	NONE	RED
2510-B02-66	NONE		OPEN	OPEN	NONE	PURPLE
2510-B02-67	a c		OPEN	OPEN	NONE	YELLOW
2510-B02-68	NONE		OPEN	OPEN	NONE	YELLOW
2510-B02-69	a d		OPEN	OPEN	BETWEEN CCT 2&3	NONE
2510-B02-70	NONE		OPEN	OPEN	NONE	YELLOW
2510-B02-71	NONE		CLOSED	OPEN	NONE	NONE
2510-B02-72	d		OPEN	OPEN	BETWEEN CCT 1&2	NONE
2510-B02-73	b d		OPEN	OPEN	BETWEEN CCT 1&2	RED
2510-B02-74	d		CLOSED	CLOSED	NONE	NONE
2510-B02-75	b c		CLOSED	CLOSED	NONE	NONE

3 CIRCUIT						
PART NUMBER	REMOVED POSITION KEYS	CONFIGURATION	FIRST ENDWALL	LAST ENDWALL	POLARIZING RIB BETWEEN	COLOUR STRIPE
2510-B03-01	NONE		OPEN	OPEN	NONE	NONE
2510-B03-02	c d f		OPEN	OPEN	NONE	NONE
2510-B03-03	a d e		OPEN	OPEN	NONE	NONE
2510-B03-04	d e f		OPEN	OPEN	NONE	NONE
2510-B03-05	b c d		OPEN	OPEN	NONE	NONE
2510-B03-06	a b d		OPEN	OPEN	NONE	NONE
2510-B03-07	a d e f		OPEN	OPEN	NONE	NONE
2510-B03-08	b c e		OPEN	OPEN	NONE	NONE
2510-B03-09	a c d		OPEN	OPEN	NONE	NONE
2510-B03-10	b d e		OPEN	OPEN	NONE	BLUE
2510-B03-11	b d e		OPEN	OPEN	NONE	NONE
2510-B03-12	b c e		OPEN	OPEN	NONE	NONE
2510-B03-13	e f		OPEN	OPEN	NONE	NONE
2510-B03-14	b d		OPEN	OPEN	NONE	NONE
2510-B03-15	f		OPEN	OPEN	NONE	NONE
2510-B03-16	a f		OPEN	OPEN	NONE	NONE
2510-B03-17	c d e		OPEN	OPEN	NONE	NONE
2510-B03-18	NONE		OPEN	OPEN	NONE	BLUE
2510-B03-19	a b d e f		OPEN	OPEN	NONE	NONE
2510-B03-20	a b c f		OPEN	OPEN	NONE	NONE
2510-B03-21	NONE		OPEN	OPEN	NONE	GREEN
2510-B03-22	b c d e		OPEN	OPEN	NONE	NONE
2510-B03-23	a d f		OPEN	OPEN	NONE	RED
2510-B03-24	NONE		OPEN	OPEN	NONE	RED
2510-B03-25	a c d		OPEN	OPEN	NONE	RED
2510-B03-26	NONE		OPEN	OPEN	NONE	PURPLE
2510-B03-27	NONE		CLOSED	CLOSED	BETWEEN CCT 4&5	NONE
2510-B03-28	a b c		OPEN	OPEN	NONE	NONE
2510-B03-29	a		OPEN	OPEN	NONE	NONE
2510-B03-30	c		OPEN	OPEN	NONE	NONE

RoHS Compliant

F				DRAWN:	GENERAL TOLERANCE:	Neltron Industrial Co., Ltd.		
E				VITO	.X=±0.20 .XX=±0.15			
D				CHECKED:	UNIT: MM			DESCRIPTION: 5.0mm Pitch Female IDC
C				JERRY	SCALE: 1:1			
B				APPROVAL:	SHEET: 6/9	PART NO: 2510-BXX-XX	A4	
A	24-FEB-2023		VITO	RORY	PROJECTION:			
REV	DATE	FILE	BY				D	

3 CIRCUIT						
PART NUMBER	REMOVED POSITION KEYS	CONFIGURATION	FIRST ENDWALL	LAST ENDWALL	POLARIZING RIB BETWEEN	COLOUR STRIPE
2510-B03-31	d		OPEN	OPEN	NONE	NONE
2510-B03-32	b c		OPEN	OPEN	NONE	NONE
2510-B03-33	b		OPEN	OPEN	NONE	NONE
2510-B03-34	NONE		CLOSED	CLOSED	BETWEEN CCT 1&2	NONE
2510-B03-35	NONE		CLOSED	CLOSED	NONE	NONE
2510-B03-36	b c d e		OPEN	OPEN	NONE	BLUE
2510-B03-37	NONE		OPEN	OPEN	BETWEEN CCT 2&3	NONE
2510-B03-38	b		OPEN	OPEN	NONE	NONE
2510-B03-39	a c		OPEN	OPEN	NONE	NONE

4 CIRCUIT						
PART NUMBER	REMOVED POSITION KEYS	CONFIGURATION	FIRST ENDWALL	LAST ENDWALL	POLARIZING RIB BETWEEN	COLOUR STRIPE
2510-B04-01	NONE		OPEN	OPEN	NONE	NONE
2510-B04-02	ALL		OPEN	OPEN	NONE	NONE
2510-B04-03	b c d f		OPEN	OPEN	NONE	NONE
2510-B04-04	d e f g		OPEN	OPEN	NONE	NONE
2510-B04-05	a b e f h		OPEN	OPEN	NONE	NONE
2510-B04-06	d e f g h		OPEN	OPEN	NONE	NONE
2510-B04-07	c d		OPEN	OPEN	NONE	NONE
2510-B04-08	b c d e		OPEN	OPEN	NONE	NONE
2510-B04-09	a b d e g		OPEN	OPEN	NONE	NONE
2510-B04-10	b e		OPEN	OPEN	NONE	NONE
2510-B04-11	a b d e g		OPEN	OPEN	NONE	RED
2510-B04-12	d e f g		OPEN	OPEN	NONE	NONE
2510-B04-13	a b e f h		OPEN	OPEN	NONE	NONE
2510-B04-14	NONE		OPEN	OPEN	NONE	BLUE
2510-B04-15	a c e g		OPEN	OPEN	NONE	NONE
2510-B04-16	a b d f g h		OPEN	OPEN	NONE	NONE
2510-B04-17	c d e f g		OPEN	OPEN	NONE	NONE
2510-B04-18	f g h		OPEN	OPEN	NONE	NONE
2510-B04-19	a c d f g		OPEN	OPEN	NONE	NONE
2510-B04-20	a b c d e f		OPEN	OPEN	NONE	NONE
2510-B04-21	a d g		OPEN	OPEN	NONE	BROWN
2510-B04-22	a b f g h		OPEN	OPEN	NONE	BROWN
2510-B04-23	NONE		OPEN	OPEN	NONE	GREEN
2510-B04-24	d f h		OPEN	OPEN	NONE	NONE
2510-B04-25	c e f g h		OPEN	OPEN	NONE	NONE
2510-B04-26	a d g		OPEN	OPEN	NONE	NONE
2510-B04-27	a b f g h		OPEN	OPEN	NONE	NONE
2510-B04-28	b d e		OPEN	OPEN	NONE	NONE
2510-B04-29	a b c d g		OPEN	OPEN	NONE	NONE
2510-B04-30	NONE		CLOSED	CLOSED	BETWEEN CCT 3&4	NONE

RoHS Compliant

F				DRAWN: VITO	GENERAL TOLERANCE: .X=±0.20 .XX=±0.15	Neltron Industrial Co., Ltd.	DESCRIPTION: 5.0mm Pitch Female IDC	SIZE A4
E								
D				CHECKED: JERRY	UNIT: MM	PART NO: 2510-BXX-XX		
C					SCALE: 1:1			
B				APPROVAL: RORY	SHEET: 7/9			
A	24-FEB-2023		VITO		PROJECTION:			
REV	DATE	FILE	BY					

A
B
C
D

1

2

3

4

5

4 CIRCUIT						
PART NUMBER	REMOVED POSITION KEYS	CONFIGURATION	FIRST ENDWALL	LAST ENDWALL	POLARIZING RIB BETWEEN	COLOUR STRIPE
2510-B04-31	NONE		OPEN	OPEN	BETWEEN CCT 4&5	NONE
2510-B04-32	NONE		OPEN	OPEN	BETWEEN CCT 3&4	NONE

5 CIRCUIT						
PART NUMBER	REMOVED POSITION KEYS	CONFIGURATION	FIRST ENDWALL	LAST ENDWALL	POLARIZING RIB BETWEEN	COLOUR STRIPE
2510-B05-01	NONE		OPEN	OPEN	NONE	NONE
2510-B05-02	c e f h		OPEN	OPEN	NONE	NONE
2510-B05-03	b d f g i		OPEN	OPEN	NONE	NONE
2510-B05-04	c e g h		OPEN	OPEN	NONE	NONE
2510-B05-05	a c		OPEN	OPEN	NONE	NONE
2510-B05-06	NONE		OPEN	OPEN	NONE	RED
2510-B05-07	b d f h j		OPEN	OPEN	NONE	BLACK
2510-B05-08	NONE		OPEN	OPEN	NONE	BLACK
2510-B05-09	b d e f h j		OPEN	OPEN	NONE	BLACK
2510-B05-10	b c e g h		OPEN	OPEN	NONE	NONE
2510-B05-11	NONE		CLOSED	OPEN	NONE	NONE
2510-B05-12	a b		OPEN	OPEN	NONE	NONE
2510-B05-13	NONE		OPEN	OPEN	BETWEEN CCT 1&2	NONE
2510-B05-14	b c d e f g i j		OPEN	OPEN	NONE	NONE

6 CIRCUIT						
PART NUMBER	REMOVED POSITION KEYS	CONFIGURATION	FIRST ENDWALL	LAST ENDWALL	POLARIZING RIB BETWEEN	COLOUR STRIPE
2510-B06-01	NONE		OPEN	OPEN	NONE	NONE
2510-B06-02	d e f g h i		OPEN	OPEN	NONE	NONE
2510-B06-03	c d e h i j		OPEN	OPEN	NONE	NONE
2510-B06-04	a b e f g h k l		OPEN	OPEN	NONE	NONE
2510-B06-05	a b e f h i k		OPEN	OPEN	NONE	NONE
2510-B06-06	b c f g j k		OPEN	OPEN	NONE	NONE
2510-B06-07	a d e f g h i l		OPEN	OPEN	NONE	NONE
2510-B06-08	NONE		OPEN	OPEN	NONE	BLUE
2510-B06-09	a b c d e f i j k l		OPEN	OPEN	NONE	NONE
2510-B06-10	NONE		OPEN	OPEN	NONE	GREEN
2510-B06-11	c d f h i j		OPEN	OPEN	NONE	NONE
2510-B06-12	a b c d g i j k l		OPEN	OPEN	NONE	NONE
2510-B06-13	NONE		OPEN	OPEN	NONE	BLACK
2510-B06-14	b d e f h j		OPEN	OPEN	NONE	BLACK
2510-B06-15	c d e f g h l		OPEN	OPEN	NONE	NONE
2510-B06-16	c d e f h j k		OPEN	OPEN	NONE	NONE
2510-B06-17	NONE		CLOSED	CLOSED	BETWEEN CCT 5&6	NONE
2510-B06-18	NONE		CLOSED	CLOSED	NONE	NONE

RoHS Compliant

F				DRAWN: VITO	GENERAL TOLERANCE: .X=±0.20 .XX=±0.15	Neltron Industrial Co., Ltd.	DESCRIPTION: 5.0mm Pitch Female IDC	SIZE A4
E			CHECKED: JERRY					
D				APPROVAL: RORY	SCALE: 1:1	PART NO: 2510-BXX-XX		
C					SHEET: 8/9			
B					PROJECTION:			
A	24-FEB-2023		VITO					
REV	DATE	FILE	BY					

A

B

C

D

1

2

3

4

5

7 CIRCUIT

PART NUMBER	REMOVED POSITION KEYS	CONFIGURATION	FIRST ENDWALL	LAST ENDWALL	POLARIZING RIB BETWEEN	COLOUR STRIPE
2510-B07-01	NONE	①②③④⑤⑥⑦ ⑧⑨⑩⑪⑫⑬⑭⑮⑯⑰⑱	OPEN	OPEN	NONE	NONE
2510-B07-02	c d g h i j k	①②③④⑤⑥⑦ ⑧⑨⑩⑪⑫⑬⑭⑮⑯⑰⑱	OPEN	OPEN	NONE	NONE
2510-B07-03	a c d f g	①②③④⑤⑥⑦ ⑧⑨⑩⑪⑫⑬⑭⑮⑯⑰⑱	OPEN	OPEN	NONE	NONE
2510-B07-04	NONE	①②③④⑤⑥⑦ ⑧⑨⑩⑪⑫⑬⑭⑮⑯⑰⑱	CLOSED	CLOSED	NONE	NONE
2510-B07-05	NONE	①②③④⑤⑥⑦ ⑧⑨⑩⑪⑫⑬⑭⑮⑯⑰⑱	OPEN	OPEN	NONE	ORANGE

8 CIRCUIT

PART NUMBER	REMOVED POSITION KEYS	CONFIGURATION	FIRST ENDWALL	LAST ENDWALL	POLARIZING RIB BETWEEN	COLOUR STRIPE
2510-B08-01	NONE	①②③④⑤⑥⑦⑧ ⑨⑩⑪⑫⑬⑭⑮⑯⑰⑱	OPEN	OPEN	NONE	NONE
2510-B08-02	NONE	①②③④⑤⑥⑦⑧ ⑨⑩⑪⑫⑬⑭⑮⑯⑰⑱	OPEN	OPEN	BETWEEN CCT 2&3	NONE


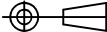
9 CIRCUIT

PART NUMBER	REMOVED POSITION KEYS	CONFIGURATION	FIRST ENDWALL	LAST ENDWALL	POLARIZING RIB BETWEEN	COLOUR STRIPE
2510-B09-01	NONE	①②③④⑤⑥⑦⑧⑨ ⑩⑪⑫⑬⑭⑮⑯⑰⑱	OPEN	OPEN	NONE	NONE
2510-B09-02	b c d e f g i j	①②③④⑤⑥⑦⑧⑨ ⑩⑪⑫⑬⑭⑮⑯⑰⑱	OPEN	OPEN	NONE	NONE

10 CIRCUIT

PART NUMBER	REMOVED POSITION KEYS	CONFIGURATION	FIRST ENDWALL	LAST ENDWALL	POLARIZING RIB BETWEEN	COLOUR STRIPE
2510-B10-01	NONE	①②③④⑤⑥⑦⑧⑨⑩ ⑪⑫⑬⑭⑮⑯⑰⑱⑲	OPEN	OPEN	NONE	NONE
2510-B10-02	NONE	①②③④⑤⑥⑦⑧⑨⑩ ⑪⑫⑬⑭⑮⑯⑰⑱⑲	OPEN	OPEN	BETWEEN CCT 17&18	NONE
2510-B10-03	NONE	①②③④⑤⑥⑦⑧⑨⑩ ⑪⑫⑬⑭⑮⑯⑰⑱⑲	OPEN	OPEN	BETWEEN CCT 8&9	NONE

RoHS Compliant

F				DRAWN:	GENERAL TOLERANCE:	 Neltron Industrial Co., Ltd.	DESCRIPTION: 5.0mm Pitch Female IDC	SIZE A4
E			VITO	.X=±0.20 .XX=±0.15				
D			CHECKED:	UNIT: MM	PART NO: 2510-BXX-XX			
C			JERRY	SCALE: 1:1				
B			APPROVAL:	SHEET: 9/9				
A	24-FEB-2023		VITO	RORY	PROJECTION: 			
REV	DATE	FILE	BY					

A

B

C

D