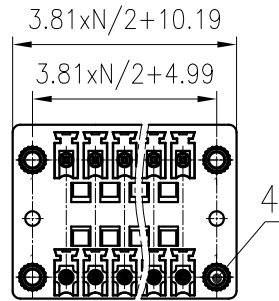
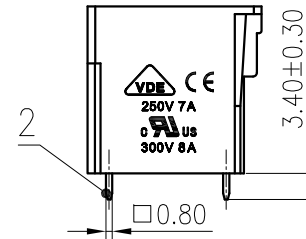
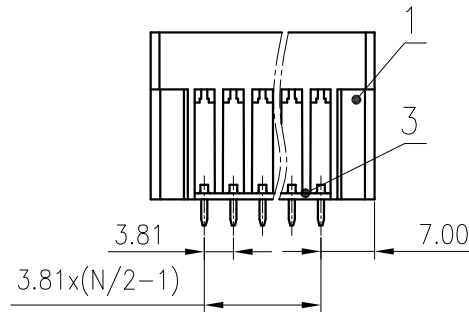
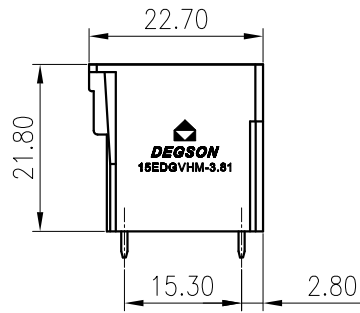


未注公差/General tolerances(mm)											0.1/10		
0	>3	>6	>10	>18	>30	>50	>80	>120	>180	>250		>315	>400
~3	~6	~10	~18	~30	~50	~80	~120	~180	~250	~315	~400	~500	~500
±0.12	±0.18	±0.22	±0.26	±0.31	±0.37	±0.57	±0.80	±0.93	±1.05	±1.15	±1.60	±2.20	±2.50



文 管 中 心
研 发 专 用
2020.05.27
(仅限内部使用, 对外无效)



4	Nut	Copper Alloy	M2.5
3	Cover	PA66	UL94V-0
2	Pin	Copper Alloy	Sn Plated
1	Housing	PA66	UL94V-0
ITEM	NAME OF PART	MATERIAL	NOTES

UL 标准/UL Standard:		B	C	D
额定电压/电流/Rated Voltage(V)/Current(A)		300/8	/	300/8
IEC 标准/IEC Standard:				
过压类别/Overvoltage Category/污染等级/Pollution Degree		II/2		
额定电压/电流/Rated Voltage(V)/Current(A)		250/7		
额定脉冲电压(KV)/Rate Impulse Voltage(KV)		2.5		
间距/Pitch(mm)/线数范围/Poles		3.81/N=04~48P		
使用温度范围/Operating temperature(°C)		-40~+105		
符合RoHS环保要求/Conform to RoHS		Yes		

MATERIAL: /	SURFACE: /		
MAT NO.: /	宁波高松电子有限公司 NINGBO DEGSON ELECTRICAL CO., LTD		
STATUS: /			
APPD: LanChH 2020.05.27	NAME: 15EDGVHM-3.81-XXP-1Y-00A(H)		
CHKD: YuJZ 2020.05.27	DRAWING NO.: 15EDGVHM-C01		
DRFT: ZL 2015.11.13	REV	T2	
SIZE: A4	TYPE: CUSTOMER DRAWING	SCALE: 1:1	SHEET 1/1

T2		Drawing update	ChenZh	2020.05.27
T1	18-0365	Modify structure	CMZ	2019.01.24
REV	ECN	DESCRIPTION	DRFT	DATE

