

Specifications:  
 Current Rating: 0.5A AC,DC  
 Voltage Rating: 50V AC,DC  
 Contact Resistance: 100m ohm.Max  
 Insulation Resistance: 500M ohm.Min  
 Withstanding Voltage: 150V AC/Minute  
 Operating Temperature Range: -55°C ~ +105°C

Material:  
 Insulator: LCP(UL94V-0)  
 Insulator Color: Black  
 Terminal: Phosphor Bronze  
 Plated: Selective Gold  
 Solder Pad: Phosphor Bronze  
 Plated: Matte Tin

How To Order  
 1226-XX-10-H28-TR  
 Tape&Reel  
 Plastic Height=2.8mm  
 NO.of Contacts

Dimension Information:

Pos	Dim.A	Dim.B	Dim.C	Dim.D
8	11.70	3.50	6.15	8.90
10	12.70	4.50	7.15	9.90
12	13.70	5.50	8.15	10.90
16	15.70	7.50	10.15	12.90
20	17.70	9.50	12.15	14.90
30	22.70	14.50	17.15	19.90

RoHS Compliant

F				DRAWN: ZONGYI	GENERAL TOLERANCE: .X=±0.20 .XX=±0.10
E					
D				CHECKED: JERRY	UNIT: MM
C	23-AUG-2023	Add 12P Option	LISY		SCALE: 1:1
B	13-MAR-2022	新增平整度	ZONGYI	APPROVAL: MIKE WU	SHEET: 1/3
A	08-AUG-2018		ZONGYI		PROJECTION:
REV	DATE	FILE	BY		

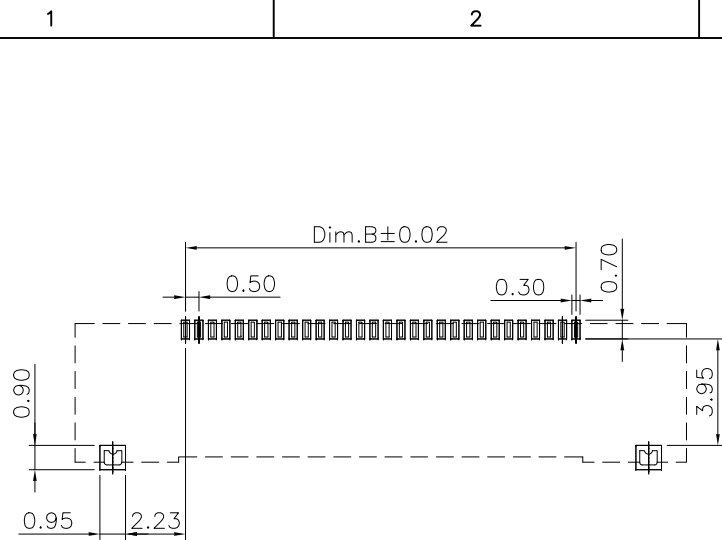
# Neltron Industrial Co., Ltd.

DESCRIPTION: 0.5mm FPC Double Contact Type

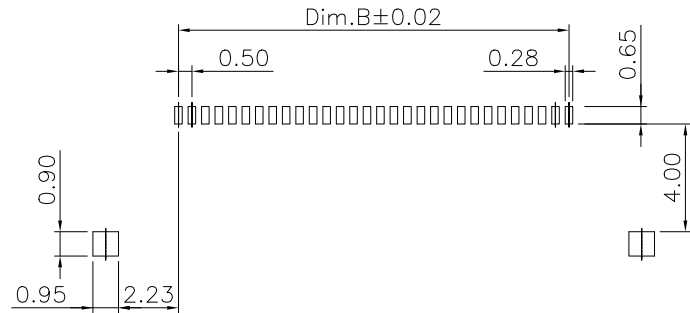
PART NO: 1226-XX-10-H28-TR

SIZE

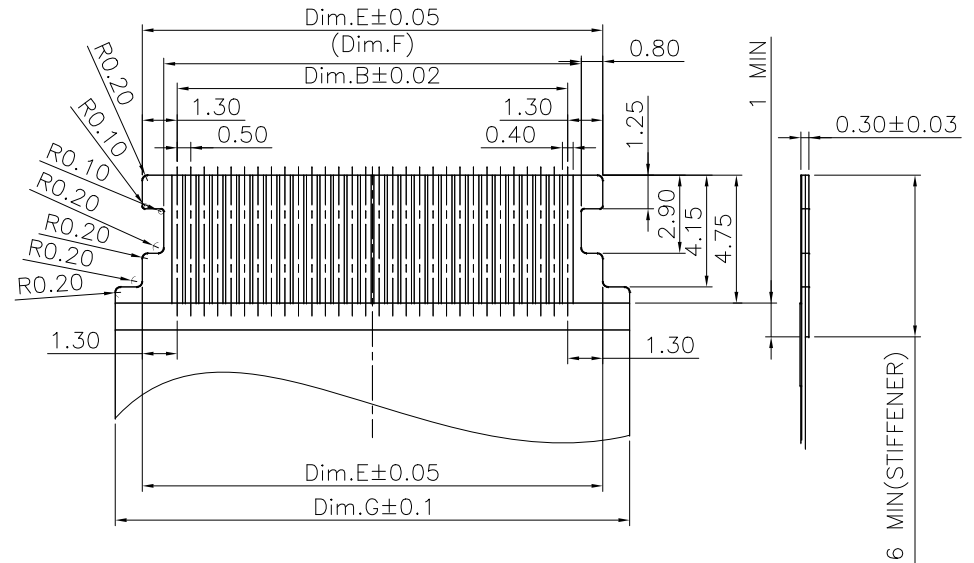
## A4



P.C.B. LAYOUT



RECOMMENDED METAL MASK PATTERN

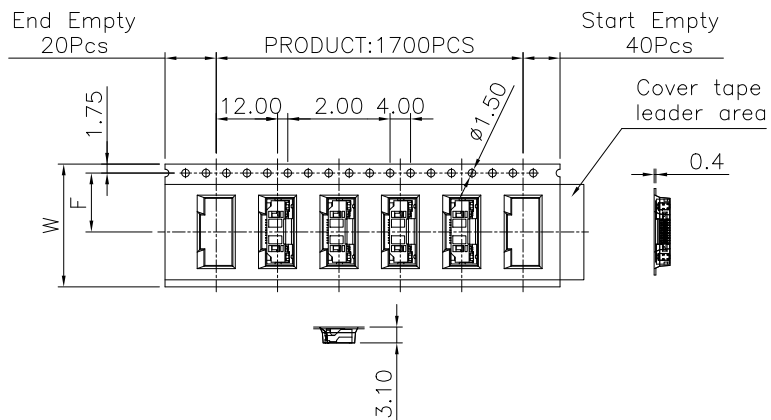


Dimension Information:

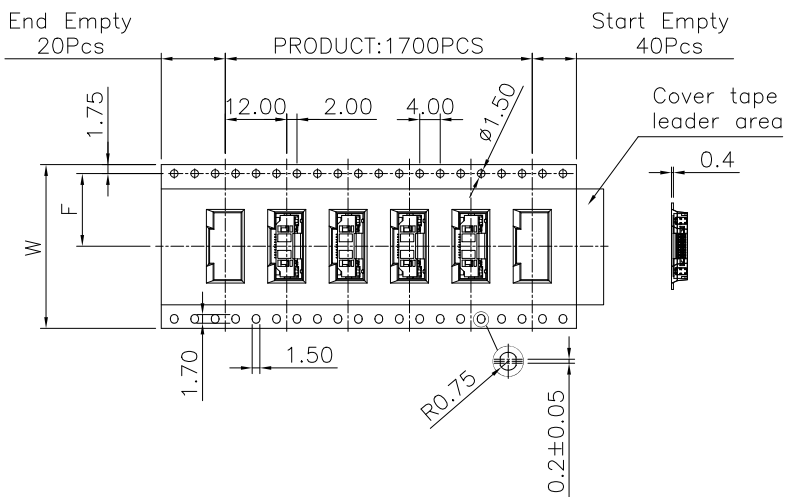
Pos	Dim.B	Dim.E	Dim.F	Dim.G
8	3.50	6.10	4.50	7.50
10	4.50	7.10	5.50	8.50
12	5.50	8.10	6.50	9.50
16	7.50	10.10	8.50	11.50
20	9.50	12.10	10.50	13.50
30	14.50	17.10	15.50	18.50

RoHS Compliant

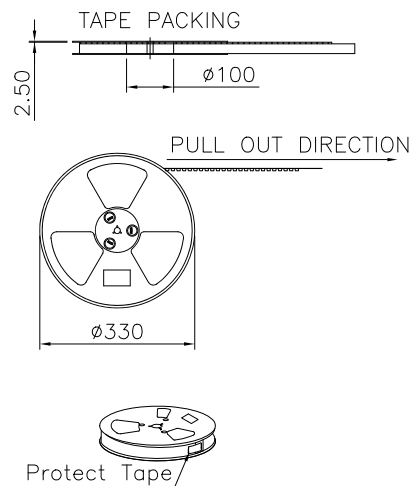
F				DRAWN: ZONGYI	GENERAL TOLERANCE: .X=±0.20 .XX=±0.10	<b>Neltron Industrial Co., Ltd.</b>	DESCRIPTION: 0.5mm FPC Double Contact Type	SIZE <b>A4</b>
E								
D				CHECKED: JERRY	UNIT: MM	PART NO: 1226-XX-10-H28-TR		
C	23-AUG-2023	Add 12P Option	LISY		SCALE: 1:1			
B	13-MAR-2022	新增平整度	ZONGYI	APPROVAL: MIKE WU	SHEET: 2/3			
A	08-AUG-2018		ZONGYI		PROJECTION:			
REV	DATE	FILE	BY					



For Reel width (dimension W)24mm ,Single row hole



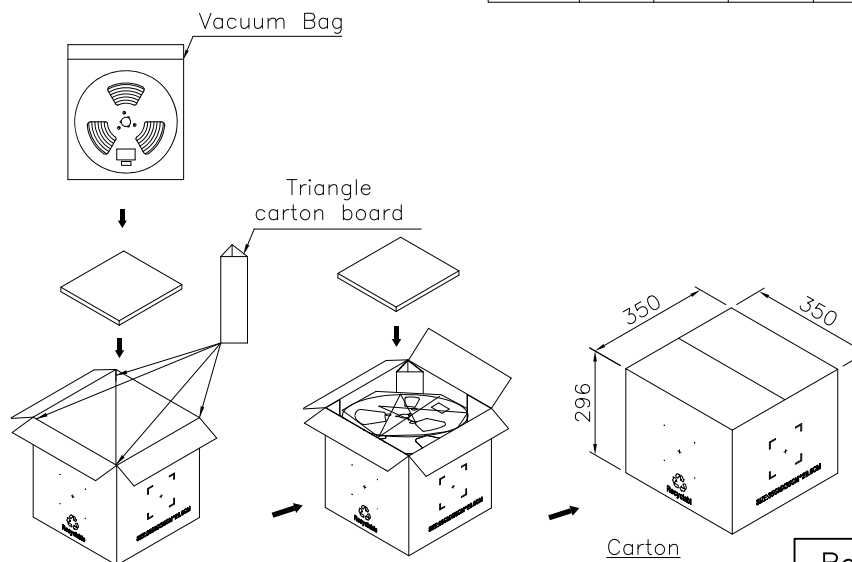
For Reel width (dimension W)32,44mm ,Double rows hole



NOTE:

- 1.All dimensions meet EIA-481-D requirements.
- 2.Material: Transparent Conductive Polystyrene Alloy 100% recyclable.
- 3.Thickness: 0.4±0.05mm
- 4.Component load per 13" reel:1700Pcs.
- 5.Carton Size:350\*350\*296(mm)

Pin.No	W	F	Pcs/R	R/CTN	Q'TY
8	24	11.5	1700	9	15300
10	24	11.5	1700	9	15300
12	24	11.5	1700	9	15300
16	24	11.5	1700	9	15300
20	32	14.2	1700	7	11900
30	44	20.2	1700	5	8500



RoHS Compliant

F				DRAWN: ZONGYI
E				
D				CHECKED: JERRY
C	23-AUG-2023	Add 12P Option	LISY	
B	13-MAR-2022	新增平整度	ZONGYI	APPROVAL: MIKE WU
A	08-AUG-2018		ZONGYI	
REV	DATE	FILE	BY	

GENERAL TOLERANCE: .X=±0.20 .XX=±0.15
UNIT: MM
SCALE:
SHEET: 3/3
PROJECTION:

<b>Neltron Industrial Co., Ltd.</b>	
PART NO: 1226-XX-10-H28-TR	SIZE <b>A4</b>

A  
B  
C  
D