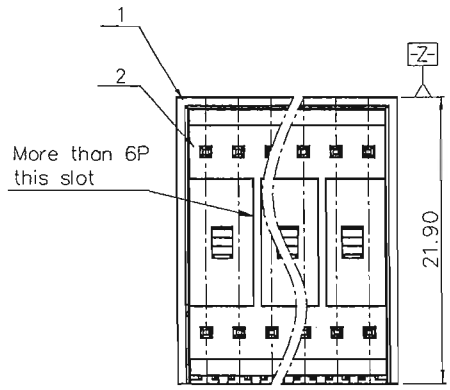
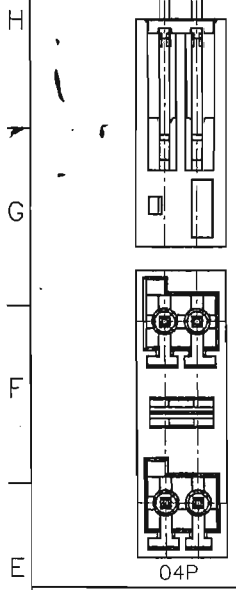


REVISION RECORD				
REV	ECN	DESCRIPTION	DRFT	DATE



NOTES1:
 UL Standard
 1. Rated Voltage/Current : 150V / 5A
 2. Withstanding Voltage : AC1300V/1Min.

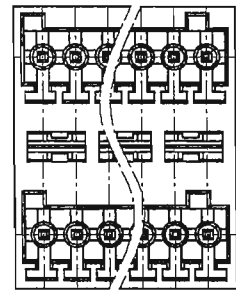
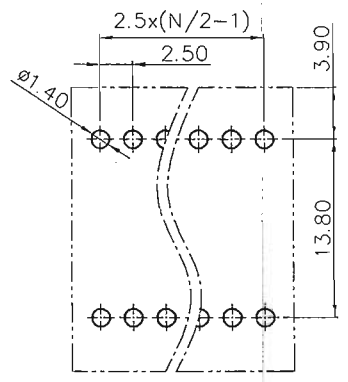
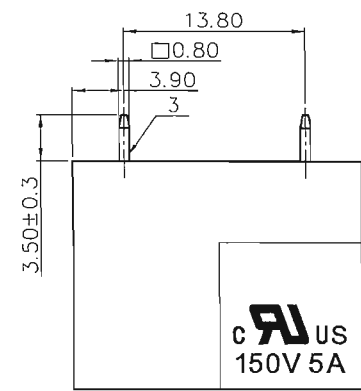
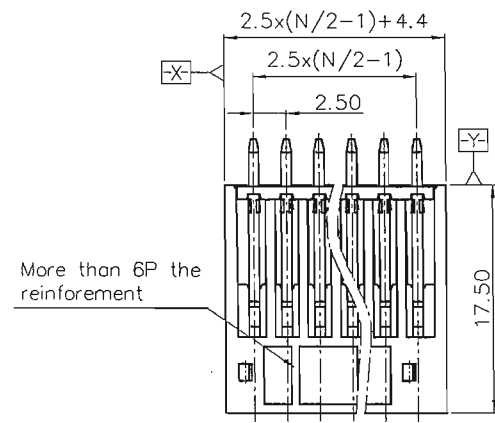
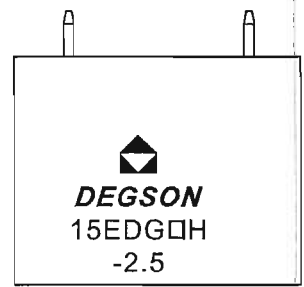
IEC Standard

1. Pollution Degree	2
Overvoltage Category	II
Rate Impulse Voltage(KV)	2.5KV
Rate Voltage(V)	100V
Rate Current(A)	4A

NOTES2:
 1. Dimension shall be interpreted per ASME Y14.5-2009
 2. Pitch : 2.5mm, Poles : N=4~24P
 3. Operating temperature: -40°C~+105°C
 4. Undimensioned Tolerances:

Pitch Range In mm	Over 6 TO 10	Over 10 TO 24	Over 30 TO 60	Over 60 TO 100	Over 100 TO 150	Nominal Dimension Range In mm	0.1/10	
±0.15	±0.20	±0.30	±0.30	±0.50	±0.70	±1.00	±1.30	±2'

5. The degree of deformation control:
 04-12P: ≤0.35mm
 14-18P: ≤0.45mm
 20-24P: ≤0.50mm
 6. RoHS Compliance



文管中心
 研发专用
 2015.10.22
 (仅限内部使用, 对外无效)

ITEM	NAME OF PART	MATERIAL	NOTES
3	PIN	COPPER ALLOY	Sn Plated
2	COVER	PA66	UL94V-0
1	HOUSING	PA66	UL94V-0

DETACHED LISTS	PART NO.: /	宁波高松电子有限公司 NINGBO DEGSON ELECTRICAL CO., LTD		
	APPD: <i>Apron 10/14/15</i>	NAME: 15EDGVH-2.5-XXP-1Y-00A(H)		
	CHKD: <i>Xm 10/10/15</i>	TITLE: CUSTOMER DRAWING		
	DRFT: LIN 08/09/07	REV: TO	SHEET: 1/1	
THIRD ANGLE PROJECTION		DRAWING NO.: 15EDGVH-2.5-C01 DO NOT SCALE DRAWING	SCALE: 1:1	

