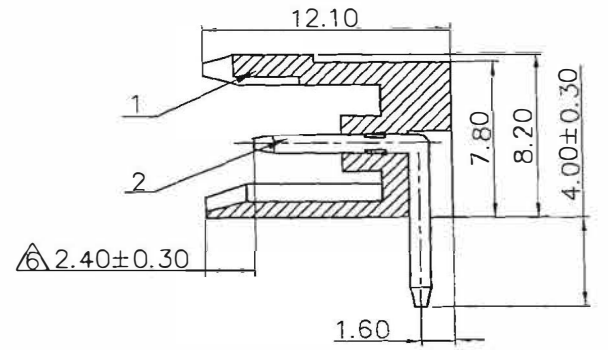
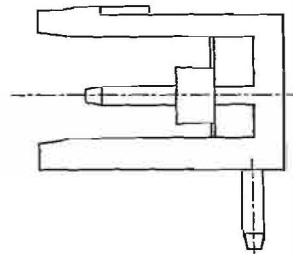
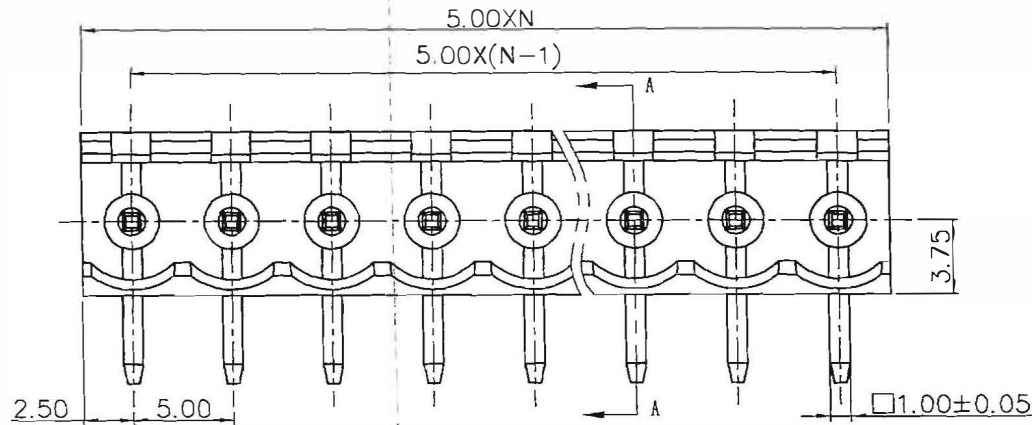


D1RFRD006

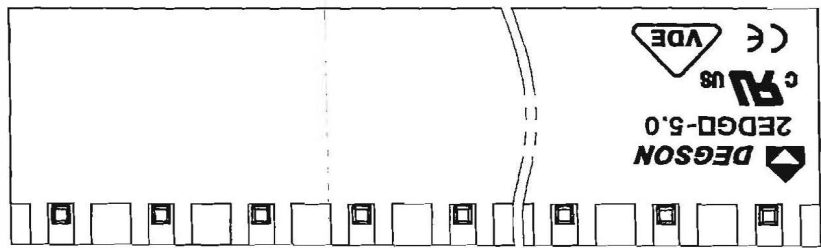
REVISION RECORD				
REV	ECN	DESCRIPTION	DRFT	DATE
△10	0329	A DIMENSION AMENDED	COCO	09/30/10*
△13	0255	IMPULSE VOLTAGE CHANGING;	LB	11/06/13*



SEC A-A

- NOTES:
- 1.DIMENSION SHALL BE INTERPRETED PER ASME Y14.5-2009.
  - 2.PITCH: 5.00MM ,POLES: N=2-24P
  - 3.RATED VOLTAGE/CURRENT: UL 300V/15A  
VDE 320V/20A
  - 4.OPERATION TEMPERATURE: -40℃~+105℃
  - △ 5.RATED IMPULSE VOLTAGE: AC2.5KV
  - 6.INSULATION RESISTANCE: 5000MΩ/DC1000V
  - 7.UNDIMENSIONED TOLERANCES:

PITCH RANGE IN MM		NOMINAL DIMENSION RANGE IN MM					-
TO 6	OVER 6 TO 10	TO 24	OVER 30 TO 60	OVER 60 TO 100	OVER 100 TO 150	OVER 150	□
±0.10	±0.15	±0.25	±0.20	±0.30	±0.50	±0.70	±1.00, 0.05/10



ITEM	NAME OF PART	NO. OF PART	Q'TY	MATERIAL	NOTES
2	2EDGR-Pin header; automatic assembly 02-14P	1008B00120(H)	XX	Brass	Sn
	2EDGR(A)-Pin header ;manul assembly	1008B00040(H)	XX	Brass	Sn
1	2EDGR-5.0 Housing	1018A0YXXA(H)	1	PA66	UL94V-0

DETACHED LISTS	MM (INCH)		MATERIAL:		宁波高正电子有限公司 DEGSON® DEGSON ELECTRONICS CO., LTD
	TOLERANCES EXCEPT AS NOTED		FINISH:		
	.X ±	.X" ±	PART NO.:		
	.XX ±	.XX" ±	NAME:		
.XXX ±	.XXX" ±	APPRO: Jean 1/10-14		TITLE:	
ANGLES ± 1°		CHKD: Amn 1/12-14		DRAWING NO.: 2EDGR-5.0-E03	REV 17
THIRD ANGLE PROJECTION		DRFT: CSX03/05/'05		DO NOT SCALE DRAWING	SCALE 1:1 SHEET 1/1

