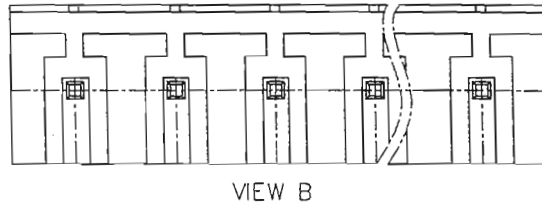


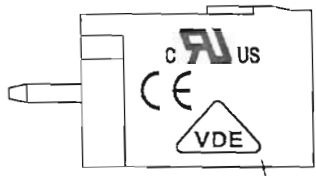


REVISION RECORD

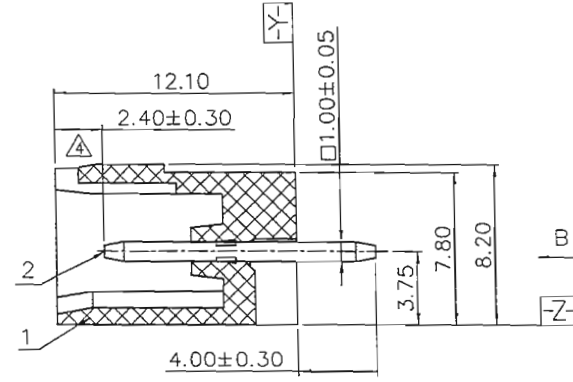
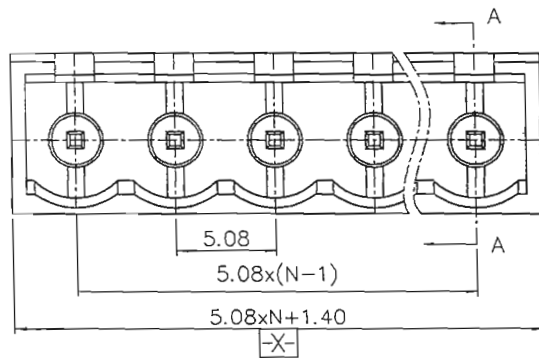
| REV | ECN     | DESCRIPTION                | DRFT | DATE     |
|-----|---------|----------------------------|------|----------|
| △   |         | 图面更新                       | csx  | 05/06/06 |
| △   |         | 增加VDE、CE刻字                 | YeJ  | 02/28/08 |
| △   |         | 增加自动化方针                    | WLM  | 09/23/08 |
| △   | 10-0329 | 增加标注尺寸                     | COCO | 10/09/10 |
| △   | 14-0107 | 黄铜变紫铜, 料号变更; 工频耐压变更为额定冲击电压 | HHJ  | 12/22/14 |



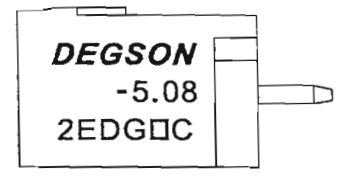
VIEW B



2

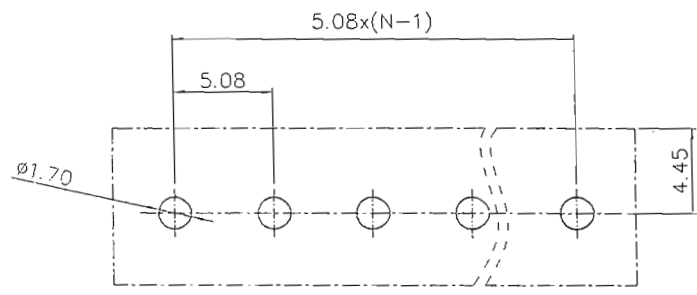


SEC A-A



| Pitch range in mm |       |       | Nominal dimension range in mm |      |      |      |      |
|-------------------|-------|-------|-------------------------------|------|------|------|------|
| to                | over  | to    | to                            | to   | to   | to   |      |
| 6                 | 6     | 10    | 30                            | 60   | 100  | 150  | □    |
| 10                | 10    | 24    | 30                            | 60   | 100  | 150  | ○    |
| ±0.10             | ±0.15 | ±0.25 | ±0.2                          | ±0.3 | ±0.5 | ±0.7 | ±1.0 |

- NOTES:
- 1.DIMENSION SHALL BE INTERPRETED PER ASME Y14.5-2009.
  - 2.PITCH: 5.08MM,POLES: 2-24P
  - 3.RATED VOLTAGE/CURRENT: UL 300V/15A VDE 320V/20A
  - 4.OPERATION TEMPERATURES: -40°C~+105°C
  - 5.RATED IMPULSE VOLTAGE: 4.0KV
  - 6.INSULATION RESISTANCE: 5000MΩ/DC1000V
  - 7.UNDIMENSIONED TOLERANCES:



P.C.B LAYOUT

| ITEM | NAME OF PART                        | NO. OF PART   | Q'TY | MATERIAL | NOTES     |
|------|-------------------------------------|---------------|------|----------|-----------|
| 2    | 2EDGV-Pin header Automatic assembly | 1007B00340(H) | XX   | COPPER   | Sn Plated |
| 2    | 2EDGV-Pin header Manual assembly    | 1007B00330(H) | XX   | COPPER   | Sn Plated |
| 1    | 2EDGVC-5.08 Housing                 | 1009A0YXXA(H) | 1    | PA66     | UL94V-0   |

DEGSON 宁波高正电子有限公司  
DEGSON ELECTRONICS CO., LTD.

NAME: 2EDGVC-5.08-XXP-1Y-00A(H)

TITLE: ASSEMBLY DRAWING

DRAWING NO.: 2EDGVC-5.08-E06

REV: T5

APPD: *Agon 11/23/14*

CHKD: *Xm 12/23/14*

DRFT: HW 08/23/05

DO NOT SCALE DRAWING

SCALE: N/A

SHEET: 1/1